

Amphenol

Interconnection Accessories

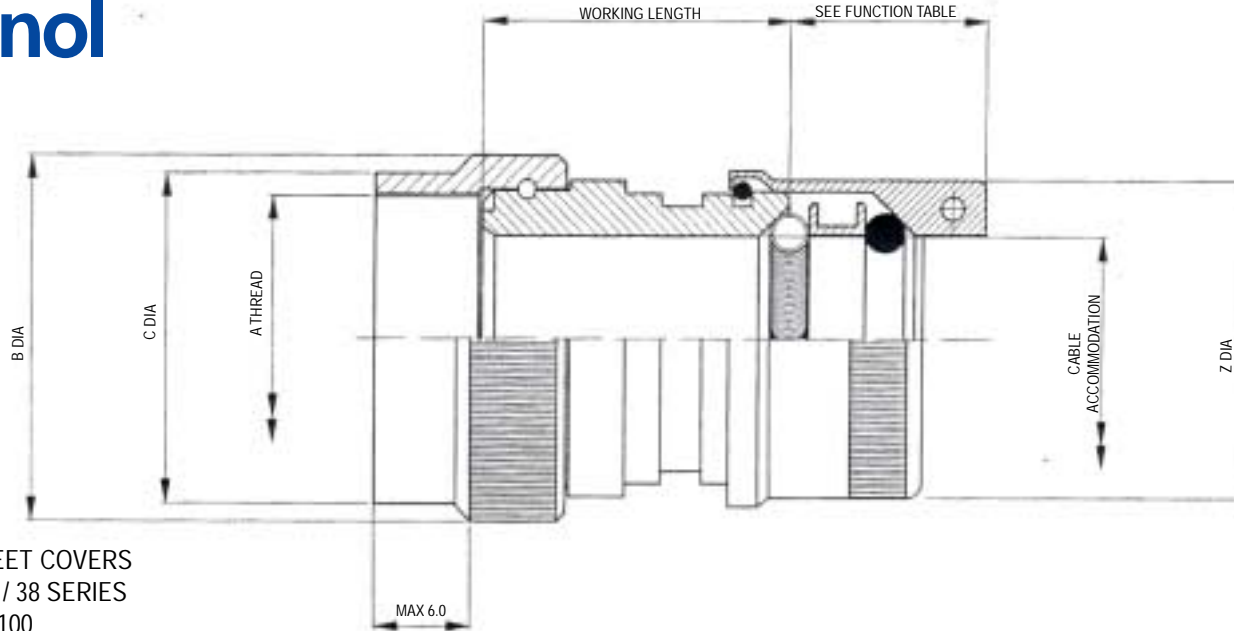
IRIS Spring

2100 Series



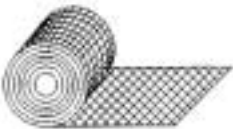
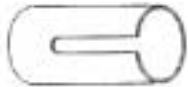
- Excellent EMC performance including TEMPEST
- Proven IRIS spring technology for overall screening
- Individual screening with tube and braid kit
- Environmental sealing with integral 'O' ring seals

Amphenol

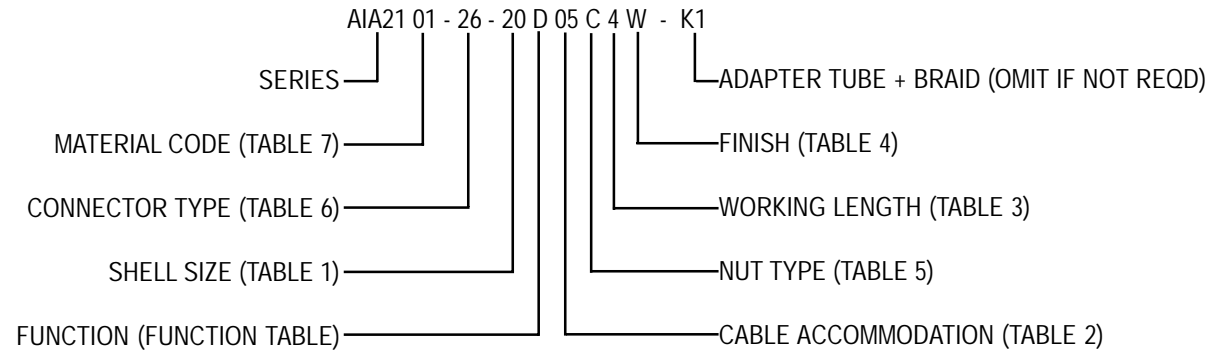


NOTES:

1. THIS DATA SHEET COVERS 22 / 26 / 28 / 32 / 38 SERIES FOR THE AIA 2100
2. * INDICATES THAT THESE FUNCTIONS ARE SUITABLE FOR USE WITH SLOTTED ADAPTER TUBE & BRAID SLOTTED ADAPTER TUBE & BRAID SHOWN BELOW
- 3.



TYPICAL PART NUMBER



 THIRD ANGLE PROJECTION	MATERIAL AND FINISH CODES ARE SPECIFIED ON ORDER	CHECKED	DIMENSIONS IN MM	AMPHENOL LTD Amphenol Ltd Thanet Way, Whitstable, Kent. CT5 3JF Tel: 01227 773200 Fax: 01227 276571	This drawing is the property of Amphenol Ltd and shall not be copied or disclosed to a third party without the express permission of Amphenol Ltd Amphenol Ltd 2000 [©]	TITLE BACKSHELL STRAIGHT
	NOTE: ALL DIMENSIONS SHOWN ARE FINISHED DIMENSIONS AFTER PLATING/METAL FINISHING	SCALE	TOLERANCES			Drawing Number AIA 2100 SERIES

Amphenol

SHELL SIZE	A THREAD 22/26/38 SERIES	A THREAD 28 SERIES	A THREAD 32 SERIES	B DIA MAX	C DIA MAX
08/09	7/16" - 28 UNEF	1/2" - 20 UNF	M12 x 1.00-6H	17.9	15.9
10/11	9/16" - 24 UNEF	5/8" - 24 UNEF	M15 x 1.00-6H	20.1	18.9
12/13	11/16" - 24 UNEF	3/4" - 20 UNEF	M18 x 1.00-6H	23.1	22.15
14/15	13/16" - 20 UNEF	7/8" - 20 UNEF	M22 x 1.00-6H	26.5	25.35
16/17	15/16" - 20 UNEF	1.000" - 20 UNEF	M25 x 1.00-6H	29.0	27.95
18/19	1 1/16" - 18 UNEF	1 1/16" - 18 UNEF	M28 x 1.00-6H	32.3	30.35
20/21	1 3/16" - 18 UNEF	1 3/16" - 18 UNEF	M31 x 1.00-6H	34.5	33.55
22/23	1 5/16" - 18 UNEF	1 5/16" - 18 UNEF	M34 x 1.00-6H	38.0	36.65
24/25	1 7/16" - 18 UNS	1 7/16" - 18 UNEF	M37 x 1.00-6H	42.8	40.65

ENTRY CODE	MIN	MAX	Z DIA
01	1.8	3.2	15.9
02	3.2	6.4	19.1
03	6.4	9.5	22.2
04	9.5	12.7	25.4
05	12.7	15.9	28.6
06	15.9	19.1	31.8
07	19.1	22.2	34.9
08	22.2	25.4	38.1
09	25.4	28.6	41.3
10	28.6	31.8	44.5
11	31.8	34.9	47.6

CODE	LENGTH
1	N/A
2	N/A
3	1 1/2"
4	2"
5	2 1/2"
6	3"
7	3 1/2"

WORKING LENGTH CODE 3 IS THE MINIMUM

CODE	DESCRIPTION
J	ELECTROLESS NICKEL
W	CAD PLATE / OLIVE DRAB PASSIVATE
Z	ZINC COBALT + OLIVE DRAB PASSIVATE

OTHER PLATING FINISHES AVAILABLE - CONSULT FACTORY

CODE	DESCRIPTION
C	WITH CLAMP BARS
N	WITHOUT CLAMP BARS

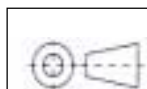
CODE	MATERIAL
01	ALUMINIUM
02	STAINLESS STEEL
03	ALUMINIUM BRONZE
04	MILD STEEL
05	BRASS

SERIES CODE	CONNECTOR TYPE (TYPICAL)	SHELL SIZE
22	MIL-C-26482 SERIES 1 PAT 105 / 608 AND 803	8-24
26	MIL-C-38999 SERIES 1 & 2 PAT 614 & 616 PAN 6433-1	8-24
28	MIL-C-83723 SERIES 1 & 3 MIL-C-26482 SERIES 2 PAT 602 & PAN 6432-1 & -4	8-24
32	MIL-C-38999 SERIES 3 & 4 METRIC THREADS (EN3045)	9-25
38	PAN 8433-2 LN 29729	8-24

FOR OTHER CONNECTOR SPECS PLEASE CONSULT FACTORY

FUNCTION TABLE

DUAL FUNCTION DESCRIPTION		TRIPLE FUNCTION DESCRIPTION	
CODE	DESCRIPTION	CODE	DESCRIPTION
*D	EM/RFI & ENVIRONMENTAL (IRIS/SEAL)	*T	EM/RFI/EMP/TEMPEST AND ENVIRONMENTAL (IRIS/IRIS/SEAL)
E	ENVIRONMENTAL & EM/RFI (SEAL/IRIS)		
*F	EMP & TEMPEST (IRIS/IRIS)		
G	HIGH PRESSURE SEAL (SEAL/SEAL)		



THIRD ANGLE PROJECTION

MATERIAL AND FINISH CODES ARE SPECIFIED ON ORDER

NOTE:
ALL DIMENSIONS SHOWN ARE FINISHED DIMENSIONS AFTER PLATING/METAL FINISHING

CHECKED

SCALE

DIMENSIONS IN MM

TOLERANCES

AMPHENOLLTD
Amphenol Ltd
Thanet Way,
Whitstable, Kent.
CT5 3JF
Tel: 01227 773200 Fax: 01227 276571

This drawing is the property of Amphenol Ltd and shall not be copied or disclosed to a third party without the express permission of Amphenol Ltd Amphenol Ltd 2000®

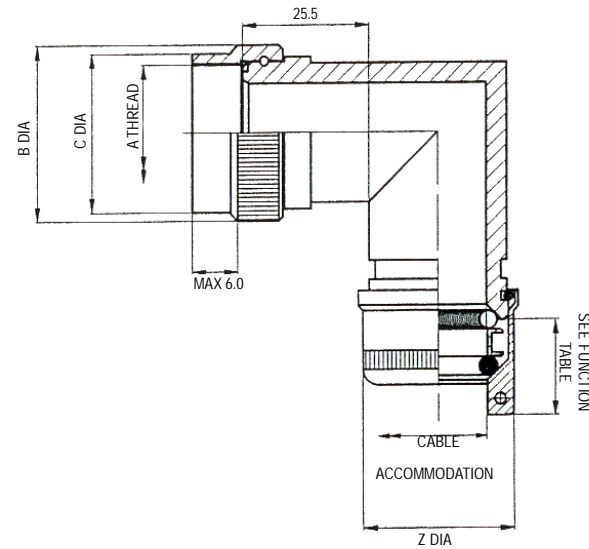
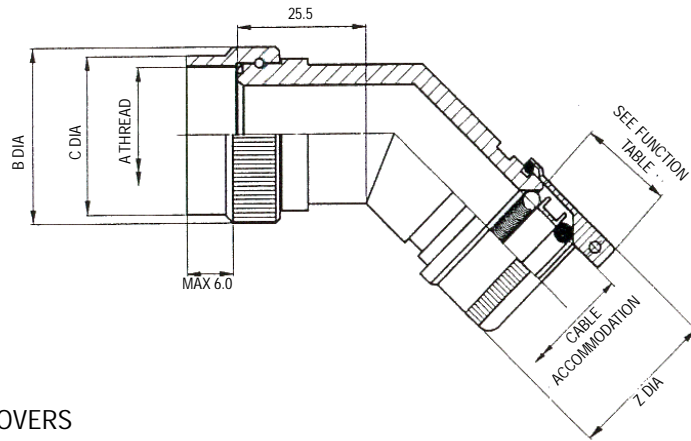
TITLE

BACKSHELL STRAIGHT

Drawing Number

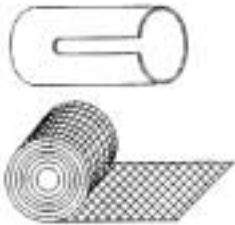
AIA 2100 SERIES

Amphenol

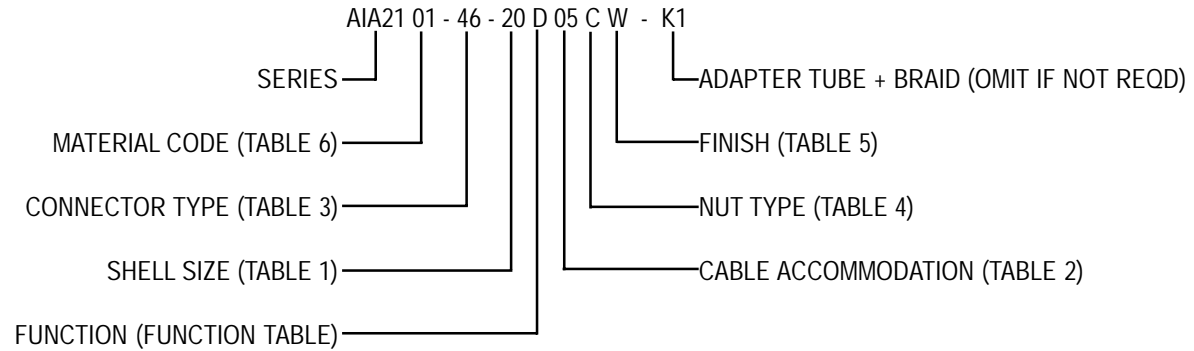


NOTES:

1. THIS DATA SHEET COVERS 42 / 46 / 48 / 52 / 58 AND 82 / 86 / 88 / 92 / 98 SERIES FOR THE AIA 2100
2. * INDICATES THAT THESE FUNCTIONS ARE SUITABLE FOR USE WITH SLOTTED ADAPTER TUBE & BRAID
3. SLOTTED ADAPTER TUBE & BRAID SHOWN BELOW



TYPICAL PART NUMBER



 THIRD ANGLE PROJECTION	MATERIAL AND FINISH CODES ARE SPECIFIED ON ORDER	CHECKED	DIMENSIONS IN MM	AMPHENOL LTD Amphenol Ltd Thanet Way, Whitstable, Kent. CT5 3JF Tel: 01227 773200 Fax: 01227 276571	This drawing is the property of Amphenol Ltd and shall not be copied or disclosed to a third party without the express permission of Amphenol Ltd Amphenol Ltd 2000 [©]	TITLE BACKSHELL 45° / 90°
	NOTE: ALL DIMENSIONS SHOWN ARE FINISHED DIMENSIONS AFTER PLATING/METAL FINISHING	SCALE	TOLERANCES			Drawing Number AIA 2100 SERIES

Amphenol

SHELL SIZE	A THREAD 22 / 25 / 38 SERIES	A THREAD 28 SERIES	A THREAD 32 SERIES	B DIA MAX	C DIA MAX
08/09	7/16" - 28 UNEF	1/2" - 20 UNF	M12 x 1.00-6H	17.9	15.9
10/11	9/16" - 24 UNEF	5/8" - 24 UNEF	M15 x 1.00-6H	20.1	18.9
12/13	11/16" - 24 UNEF	3/4" - 20 UNEF	M18 x 1.00-6H	23.1	22.15
14/15	13/16" - 20 UNEF	7/8" - 20 UNEF	M22 x 1.00-6H	26.5	25.35
16/17	15/16" - 20 UNEF	1.000" - 20 UNEF	M25 x 1.00-6H	29.0	27.95
18/19	1 1/16" - 18 UNEF	1 1/8" - 18 UNEF	M28 x 1.00-6H	32.3	30.35
20/21	1 3/16" - 18 UNEF	1 3/16" - 18 UNEF	M31 x 1.00-6H	34.5	33.55
22/23	1 5/16" - 18 UNEF	1 5/16" - 18 UNEF	M34 x 1.00-6H	38.0	36.65
24/25	1 7/16" - 18 UNS	1 7/16" - 18 UNEF	M37 x 1.00-6H	42.8	40.65

ENTRY CODE	MIN	MAX	Z DIA
01	1.8	3.2	15.9
02	3.2	6.4	19.1
03	6.4	9.5	22.1
04	9.5	12.7	25.4
05	12.7	15.9	28.6
06	15.9	19.1	31.6
07	19.1	22.2	34.9
08	22.2	25.4	38.1
09	25.4	28.6	41.3
10	28.6	31.6	44.5
11	31.6	34.9	47.6

SERIES CODE	CONNECTOR TYPE (TYPICAL)	SHELL SIZE	NOTE
42/52	MIL-C-26482 SERIES 1 PAT 105, 603 & 608	8-24	42 / 46 / 48 / 52 / 58 CALL UP 45° BACKSHELLS.
46/56	MIL-C-38099 SERIES 1 & 2 PAT 614 & 615 PAN 6433-1	8-24	82 / 88 / 88 / 92 / 98 CALL UP 90° BACKSHELLS.
48/58	MIL-C-83/23 SERIES 1 & 3 MIL-C-26482 SERIES 2 PAT 602 & PAN 6432-1 & -4	8-24	FOR OTHER CONNECTOR SERIES PLEASE CONSULT FACTORY
52/92	MIL-C-38099 SERIES 3 & 4 METRIC THREADS (EN 3645)	9-25	
58/98	PAN 6433-2 LN 29729	8-24	

CODE	DESCRIPTION
C	WITH CLAMP BARS
N	WITHOUT CLAMP BARS

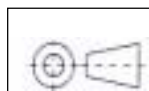
CODE	DESCRIPTION
J	ELECTROLESS NICKEL
W	CAD PLATE/OLIVE DRAB PASSIVATE
Z	ZINC COBALT + OLIVE DRAB PASSIVATE

OTHER PLATING FINISHES AVAILABLE
PLEASE CONSULT FACTORY

CODE	MATERIAL
01	ALUMINIUM
02	STAINLESS STEEL
03	ALUMINIUM BRONZE
04	MILD STEEL
05	BRASS

FUNCTION TABLE

DUAL FUNCTION		TRIPLE FUNCTION	
CODE	DESCRIPTION	CODE	DESCRIPTION
* D	EMI/RFI & ENVIRONMENTAL (IRIS/SEAL)	* T	EMI/RFI/EMP/TEMPEST AND ENVIRONMENTAL (IRIS/IRIS/SEAL)
E	ENVIRONMENTAL & EMI/RFI (SEAL/IRIS)		
* F	EMP & TEMPEST (IRIS/IRIS)		
G	HIGH PRESSURE SEAL (SEAL/SEAL)		



THIRD ANGLE
PROJECTION

MATERIAL AND FINISH CODES
ARE SPECIFIED ON ORDER

NOTE:
ALL DIMENSIONS SHOWN ARE
FINISHED DIMENSIONS AFTER
PLATING/METAL FINISHING

CHECKED

SCALE

DIMENSIONS IN
MM

TOLERANCES

AMPHENOLLTD
Amphenol Ltd
Thanet Way,
Whitstable, Kent.
CT5 3JF

Tel: 01227 773200 Fax: 01227 276571

This drawing is the property of Amphenol Ltd
and shall not be copied or
disclosed to a third party without the
express permission of Amphenol Ltd
Amphenol Ltd 2000°

TITLE

BACKSHELL
45° / 90°

Drawing Number

AIA 2100 SERIES