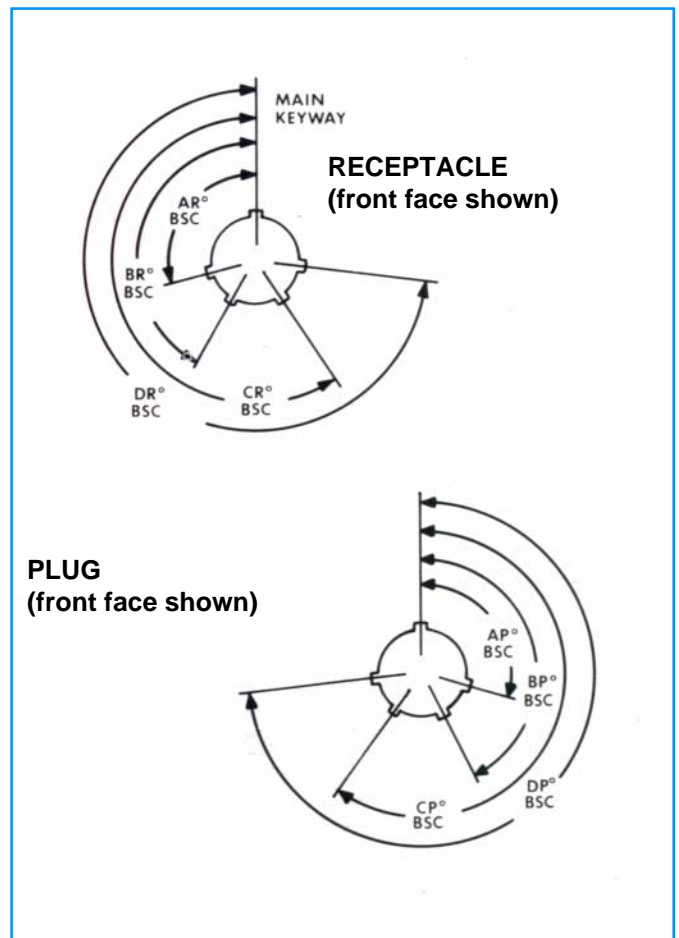


Insert Orientations

A plug with a given rotation letter will mate with a receptacle with the same rotation letter. The angles for a given connector are the same whether it contains pins or sockets. Inserts are not rotated in conjunction with the master key/keyway.

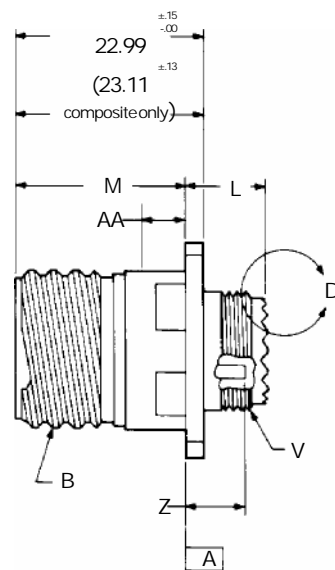
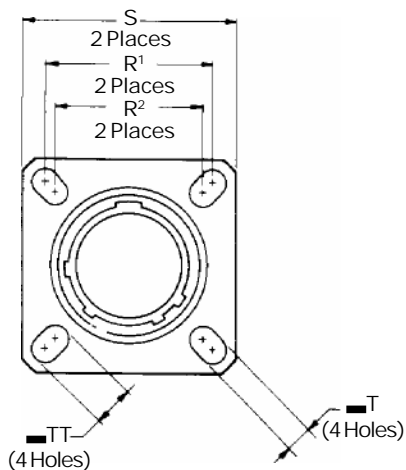
Master Key/Keyway Rotation

Shell Size	Key & Keyway Arrangement identification letter	AR° or AP° BSC	BR° or BP° BSC	CR° or CP° BSC	DR° or DP° BSC
9	N	105	140	215	265
	A	102	132	248	320
	B	80	118	230	312
	C	35	140	205	275
	D	64	155	234	304
E	91	131	197	240	
11 13 15	N	95	141	208	236
	A	113	156	182	292
	B	90	145	195	252
	C	53	156	220	255
	D	119	146	176	298
E	51	141	184	242	
17 19	N	80	142	196	293
	A	135	170	200	310
	B	49	169	200	244
	C	66	140	200	257
	D	62	145	180	280
E	79	153	197	272	
21 23 25	N	80	142	196	293
	A	135	170	200	310
	B	49	169	200	244
	C	66	140	200	257
	D	62	145	180	280
E	79	153	197	272	



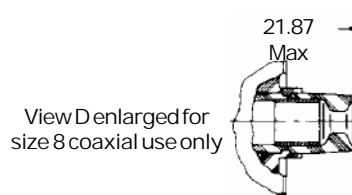
TVP00R, CTVP00R, BS-C6170 D38999/20 JN1034A

Wall mounting receptacle



- *TVP00RW... Olive Drab Aluminium
- *TVPS00RF... Nickel Plated Aluminium
- *TVPS00RB... Marine Aluminium Bronze
- *TVPS00RS... Nickel Plated Stainless
- *TVPS00RK... Firewall Stainless Steel
- *CTVP00RW... Olive Drab Composite
- *CTVPS00RF... Electroless Nickel Composite
- *BS9522 G0003 C6170... BS Specification
- *D38999/20... Mil Specification
- *JN1034 A... Olive Drab Aluminium
- *CECC 75-201-002 B Marine Aluminium Bronze

From Surface **A**



* To complete order see "how to order" pages.

⊕ 0.01 Dia (M)

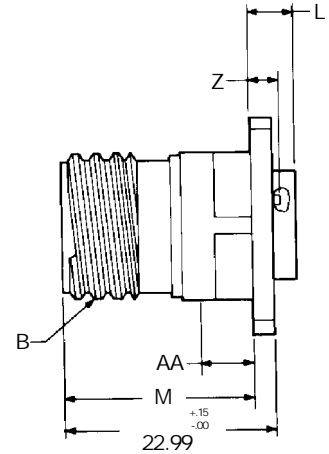
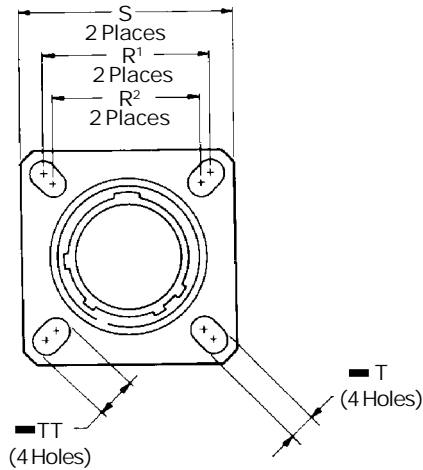
Shell Size	MS Shell Size Code	B Thread Class 2A 0.1P-0.3L-TS (Plated)	L Max	M +.00 - .13	M Composite +.00 - .13	R ¹	R ²	S ±.25	T -.20 - .13	Z Max	TT +.20 - .13	V Thread Metric	AA Max Panel Thickness
9	A	.6250	11.91	20.83	19.69	18.26	15.09	24.1	3.25	3.89	5.49	M12X1-6g	5.94
11	B	.7500	11.91	20.83	19.69	20.62	18.26	26.5	3.25	3.89	4.93	M15X1-6g	5.94
13	C	.8750	11.91	20.83	19.69	23.01	20.62	28.9	3.25	3.89	4.93	M18X1-6g	5.94
15	D	1.0000	11.91	20.83	19.69	24.61	23.01	31.3	3.25	3.89	4.93	M22X1-6g	5.94
17	E	1.1875	11.91	20.83	19.69	26.97	24.61	33.7	3.25	3.89	4.93	M25X1-6g	5.94
19	F	1.2500	11.91	20.83	19.69	29.36	26.97	36.9	3.25	3.89	4.93	M28X1-6g	5.94
21	G	1.3750	12.70	20.07	18.92	31.75	29.36	40.1	3.25	4.65	4.93	M31X1-6g	5.18
23	H	1.5000	12.70	20.07	18.92	34.93	31.75	43.3	3.91	4.65	6.15	M34X1-6g	5.18
25	J	1.6250	12.70	20.07	18.92	38.10	34.93	46.4	3.91	4.65	6.15	M37x1-6g	5.18

All dimensions for reference only

□ Designates true position dimensioning

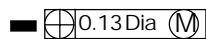
TVP02R CTVP02R JN1034F

Box mounting receptacle



- *TVP02RW... Olive Drab Aluminium
- *TVPS02RF... Electroless Nickel Aluminium
- *TVPS02RB... Marine Aluminium Bronze
- *TVPS02RS... Nickel Plated Stainless Steel
- *TVPS02RK... Firewall stainless Steel
- *CTVP02RW.. Olive Drab Composite
- *CTVP02RF.. Electroless Nickel Composite
- *JN1034F... Olive Drab Aluminium

* To complete order number, see "How to order" pages.



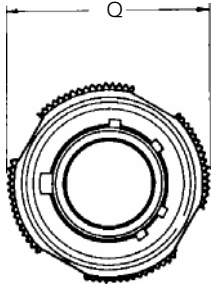
Shell Size	MS Shell Size Code	B Thread Class 2a 0.1P-0.3L-TS (Plated)	L Max	M +.00 - .13	R ¹	R ²	S ±.25	T +.20 - .13	Z Max	AA Max Panel Thickness	TT +.20 - .13
9	A	.6250	5.21	20.83	18.26	15.09	23.82	3.25	3.89	5.94	5.49
11	B	.7500	5.21	20.83	20.62	18.26	26.19	3.25	3.89	5.94	4.93
13	C	.8750	5.21	20.83	23.01	20.62	28.58	3.25	3.89	5.94	4.93
15	D	1.0000	5.21	20.83	24.61	23.01	30.96	3.25	3.89	5.94	4.93
17	E	1.1875	5.21	20.83	26.97	24.61	33.32	3.25	3.89	5.94	4.93
19	F	1.2500	5.21	20.83	29.36	26.97	36.52	3.25	3.89	5.94	4.93
21	G	1.3750	5.97	20.07	31.75	29.36	39.67	3.25	4.65	5.18	4.93
23	H	1.5000	5.97	20.07	34.92	31.75	42.88	3.91	4.65	5.18	6.15
25	J	1.6250	5.97	20.07	38.10	34.92	46.02	3.91	4.65	5.18	6.15

All dimensions for reference only

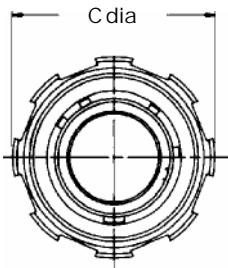
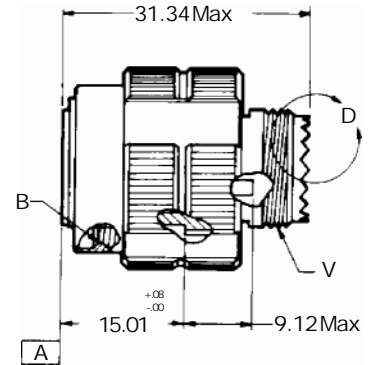
□ Designates true position dimensioning

TV06R, CTV06, BS-C6176 D38999/26 JN1034C

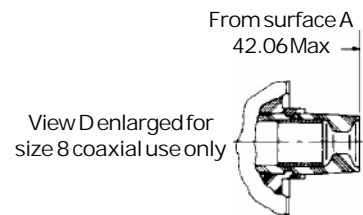
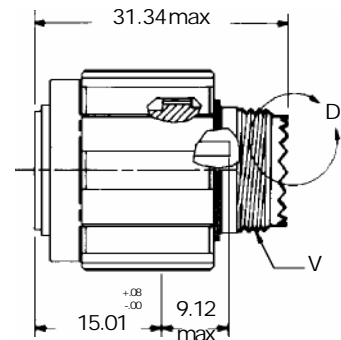
Straight plug



- * TV06RW-... Olive Drab Aluminium
- * TVS06RF-... Electroless Nickel Aluminium
- * TVS06RB-... Marine Aluminium Bronze
- * TVS06RS-... Electroless Nickel Stainless Steel
- * TVS06RK-... Firewall Stainless Steel
- * CTV06RW-... Olive Drab Composite
- * CTVS06RF Electroless Nickel Composite
- * BS9520 G0003 C6176... BS Specification
- * D38999/26-... Mil Specification
- * JN1034C... Olive drab Aluminium



- * TVS06RB-... (W88) Marine Aluminium Bronze
- * CECC75-201-002A-... Marine Aluminium Bronze



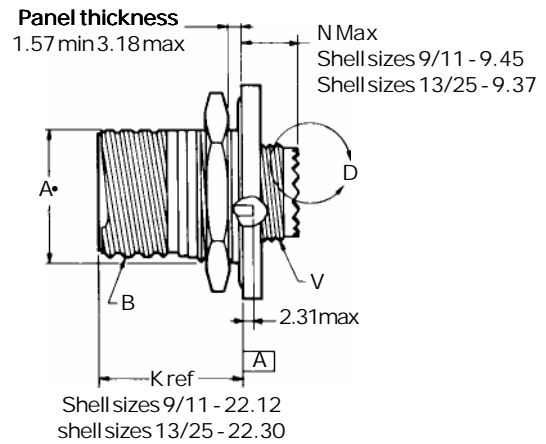
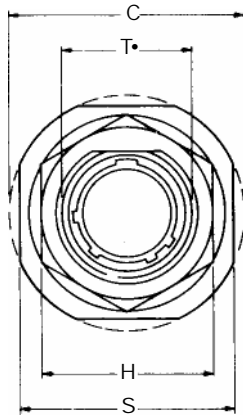
* To complete order number, see "how to order" pages

Shell Size	MS Shell Size Code	C Dia Max	B Thread 0.1P.0.3L.TS.2B Code	Q Max	V Thread Metric
9	A	21.1	.6250	21.82	M12X1.6g
11	B	23.8	.7500	24.62	M15X1.6g
13	C	28.2	.8750	28.98	M18X1.6g
15	D	31.4	1.0000	32.16	M22X1.6g
17	E	36.5	1.1875	35.33	M25X1.6g
19	F	39.3	1.2500	38.10	M28X1.6g
21	G	42.5	1.3750	41.28	M31X1.6g
23	H	45.3	1.5000	44.45	M34X1.6g
25	J	48.4	1.6250	47.63	M37X1.6g

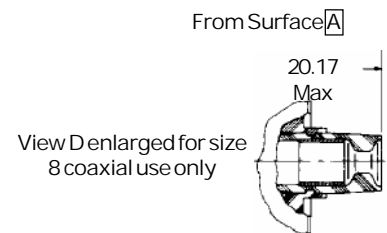
All dimensions for reference only

TV07R, CTV07R BS-C6177 D38999/24 JN1034B

Jam nut receptacle



- * TV07RW-... Olive drab Aluminium
- * TVS07RF-... Electroless Nickel Aluminium
- * TVS07RB-... Marine Aluminium Bronze
- * TVS07RS-... Electroless Nickel Stainless Steel
- * TVS07RK-... Firewall stainless Steel
- * CTV07RW-... Olive drab composite
- * CTVS07RF-... Electroless Nickel composite
- * BS9520G0003C6177-... BS approved
- * D38999/24-... Mil Spec Approved
- * JN1034B... Olive drab Aluminium
- * CECC 75-201-002-C-... Marine Aluminium Bronze



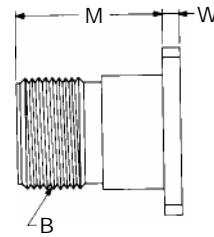
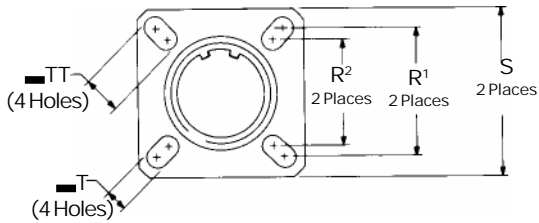
- * To complete order number see "how to order" pages
- D shaped panel cut-out dimensions

Shell size	MS shell size code	A* +.00 -.25	C max	H hex +.43 -.41	S ±.25	T* +.25 -.00	V thread metric	B Thread Class 2A 0.1P-0.3L-TS (Plated)
9	A	16.99	30.45	22.23	26.97	17.70	M12X1-6g	.6250
11	B	19.53	35.20	25.40	31.75	20.88	M15X1-6g	.7500
13	C	24.26	38.38	30.18	34.93	25.58	M18X1-6g	.8750
15	D	27.53	41.55	33.32	38.10	28.80	M22X1-6g	1.000
17	E	30.68	44.73	36.53	41.28	31.98	M25X1-6g	1.1875
19	F	33.86	49.50	39.67	46.02	35.15	M28X1-6g	1.2500
21	G	37.06	52.65	42.88	49.23	38.28	M31X1-6g	1.3750
23	H	40.01	55.85	46.02	52.37	41.50	M34X1-6g	1.500
25	J	43.41	59.00	50.80	55.58	44.68	M37X1-6g	1.6250

All dimensions for reference only

TVBS-A6178JN1034D

Dummy receptacle



Aluminium

- * 10-553974-XXX
- * BS9522-G0003A6178
- * JN1034D

Nickel Aluminium Bronze

- * 418-1392-XX

Finish	10-No. Suffix
Olive Drab, Cadmium, nickel base	-XX9
Electroless nickel	-XXG

* To complete order number, add shell size and suffix number. For example, shell size 11 with olive drab cadmium nickel base, 10-553974-119
For Nickel Aluminium Bronze dummy receptacle shell size only "XX" =

⊕ 0.13 Dia (M)

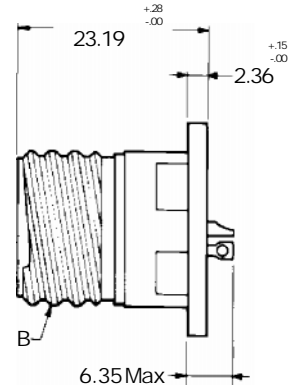
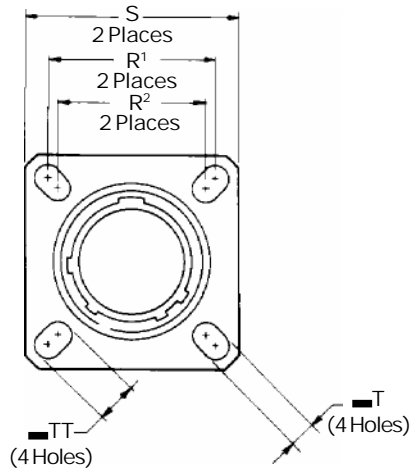
Shell Size	MS Shell Size Code	B Thread Class 2A 0.1P-0.3L-TS (Plated)	M +.51 -0.00	R1	R2	S ±.25	T +.20 -0.15	W ±.25	TT +.20 -0.15
9	A	.6250	20.88	18.26	15.09	23.83	3.25	2.49	5.49
11	B	.7500	20.88	20.62	18.26	26.19	3.25	2.49	4.93
13	C	.8750	20.88	23.01	20.62	28.58	3.25	2.49	4.93
15	D	1.0000	20.88	24.61	23.01	30.96	3.25	2.49	4.93
17	E	1.1875	20.88	26.97	24.61	33.32	3.25	2.49	4.93
19	F	1.2500	20.88	29.36	26.97	36.53	3.25	2.49	4.93
21	G	1.3750	20.09	31.75	29.36	39.67	3.25	3.18	4.93
23	H	1.5000	20.09	34.93	31.75	42.88	3.91	3.18	6.15
25	J	1.6250	20.09	38.10	34.93	46.02	3.91	3.18	6.15

All dimensions for reference only

 Designates true position dimensioning

TVPS02Y D38999/21

Box mounting receptacle - Hermetic



- *TVPS02Y ... Stainless Steel
- *TVPS02YN ... Nickel Plated Stainless Steel
- *D38999/21 ... Mil Specification

* To complete order number, see "how to order" pages.

■ $\text{⌀}0.13\text{Dia } (M)$

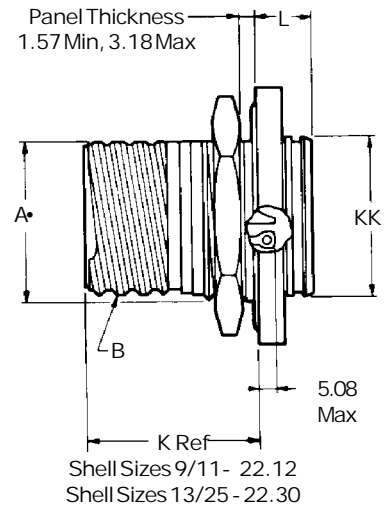
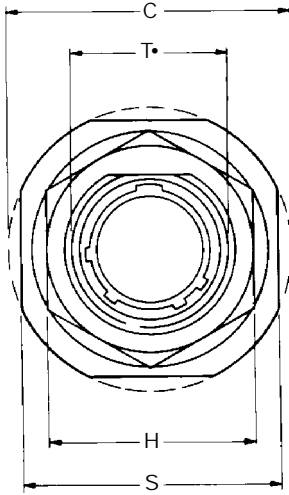
Shell Size	MS Shell Size Code	B Thread Class 2a 0.1P-0.3L-TS (Plated)	R^1	R^2	S $\pm .25$	T $+ .20$ $- .13$	TT $+ .20$ $- .13$
9	A	.6250	18.26	15.09	23.83	3.25	5.49
11	B	.7500	20.62	18.26	26.19	3.25	4.93
13	C	.8750	23.01	20.62	28.58	3.25	4.93
15	D	1.0000	24.61	23.01	30.96	3.25	4.93
17	E	1.1875	26.97	24.61	33.32	3.25	4.93
19	F	1.2500	29.36	26.97	36.53	3.25	4.93
21	G	1.3750	31.75	29.36	39.67	3.25	4.93
23	H	1.5000	34.93	31.75	42.88	3.91	6.15
25	J	1.6250	38.10	34.93	46.02	3.91	6.15

All dimensions for reference only

\square designates true position dimensioning

TVS07Y D38999/23

Jam nut receptacle - Hermetic



- * TVS07Y- ... Stainless Steel
- * TVS07YN- ... Nickel Plated Stainless Steel
- * D38999/23 ... Mil Specification

* To complete order number, see "how to order" pages

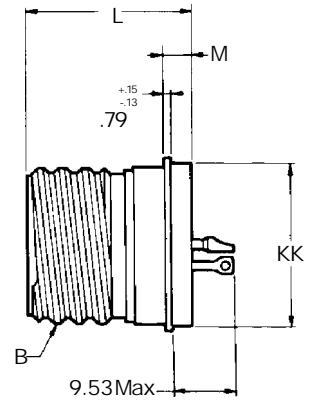
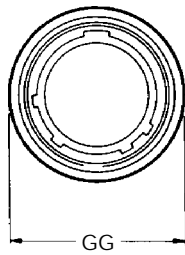
Shell Size	MS Shell Size Code	A +.00 -.25	B Thread Class 2a 0.1P-0.3L-TS (Plated)	C Max	H Hex +.43 -.41	L Max	S ±.25	T -.25 -.00	KK +.28 -.00
9	A	16.99	.6250	30.45	22.23	9.07	26.97	17.70	16.31
11	B	19.53	.7500	35.20	25.40	9.07	31.75	20.88	19.46
13	C	24.26	.8750	38.38	30.18	9.07	34.93	25.58	22.66
15	D	27.53	1.0000	41.55	33.32	9.07	38.10	28.80	25.86
17	E	30.68	1.1875	44.73	36.53	9.07	41.28	31.98	29.01
19	F	33.86	1.2500	49.50	39.67	9.68	46.02	35.15	32.21
21	G	37.06	1.3750	52.65	42.80	9.68	49.23	38.28	35.36
23	H	40.01	1.5000	55.85	46.02	9.68	52.37	41.50	38.56
25	J	43.41	1.6250	59.00	50.80	9.68	55.58	44.68	41.71

All dimensions for reference only.

• D shaped panel cut-out dimensions

TVS1YD38999/25

Solder mounting receptacle - Hermetic



- * TVS1Y... Stainless Steel
- * TVS1YN-... Nickel Plated Stainless Steel
- * D38999/25... Mil Specification

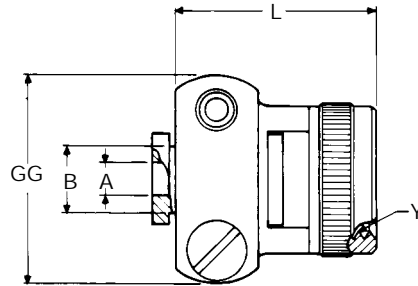
* To complete order number, see "how to order" pages

Shell Size	MS Shell Size Code	B Thread Class 2a 0.1P-0.3L-TS (Plated)	L +.28 -.00	M +.15 -.13	GG Dia +.28 -.25	KK Dia +.03 -.13
9	A	.6250	20.47	3.18	19.05	17.07
11	B	.7500	20.47	3.18	21.44	19.84
13	C	.8750	20.47	3.18	24.61	23.01
15	D	1.0000	20.47	3.18	27.79	26.19
17	E	1.1875	20.47	3.18	30.94	29.36
19	F	1.2500	20.47	3.18	33.32	31.75
21	G	1.3750	20.47	3.18	36.53	34.93
23	H	1.5000	21.29	3.96	39.70	38.10
25	J	1.6250	21.29	3.96	42.88	41.28

All dimensions for reference only

TV - Accessories

Cable Clamp



* 10-595103-XXX

* To complete order number, add shell size and suffix number.
For example, shell size 11 with cadmium plate, nickel base, 10-595103-119.

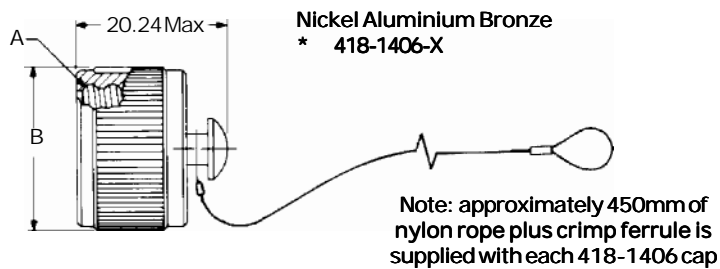
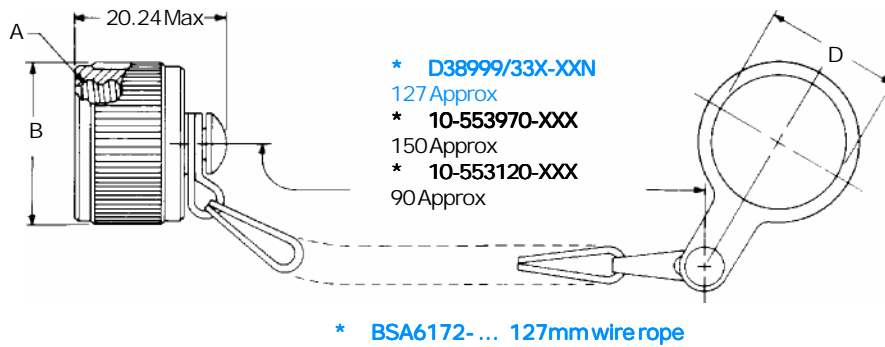
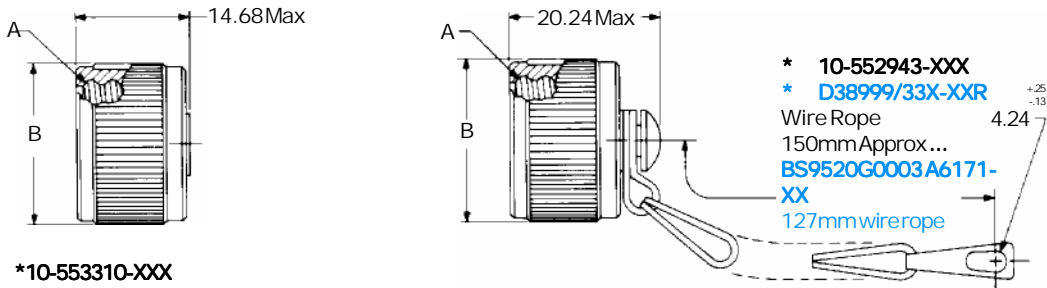
Finish	10-No. Suffix
Chromate treat	-XX0
Anodic coating	-XX5
Cadmium plate nickel base	-XX7
Olive Drab, Cadmium, nickel base	-XX9
Electroless nickel	-XXG

Shell Size	A Dia +.02 -.06	B Dia +.00 -.03	L Max	Y Thread	GG Max
9	3.17	6.35	23.42	M12X1-6H	19.68
11	4.77	7.92	23.42	M15X1-6H	20.09
13	7.92	11.12	23.42	M18X1-6H	24.46
15	9.52	14.27	29.76	M22X1-6H	27.60
17	12.70	15.89	29.76	M25X1-6H	29.31
19	15.87	19.05	29.76	M28X1-6H	35.54
21	15.87	19.05	29.76	M31X1-6H	35.54
23	19.03	23.82	32.94	M34X1-6H	40.31
25	20.32	25.54	32.94	M37X1-6H	42.69

All dimensions for reference only

Tri-Start - Accessories **BS-A6171 D38999/33**

Receptacle protection cap



*To complete order number, add shell size and suffix number.
 For example, shell size 11 with olive drab cadmium nickel base,
 10-552943-119.

Plating Finish on Aluminium	10-No. Suffix	MIL Spec Suffix
Olive Drab, Cadmium, nickel base	-XX9	W
Electroless nickel	-XXG	F

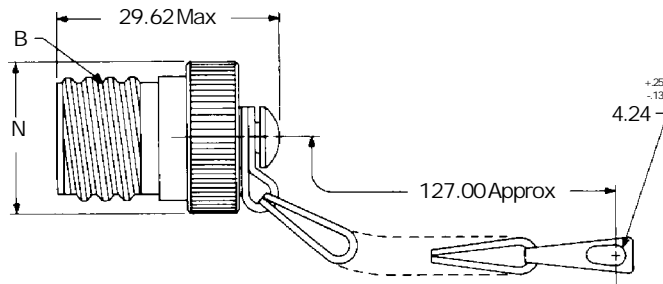
Shell Size	MS Shell Size Code	A Thread Class 2a 0.1P-0.3L-TS	B Dia -00	D Dia +.25 -00
9	A	.6250	22.23	17.86
11	B	.7500	25.40	21.44
13	C	.8750	28.58	25.81
15	D	1.0000	31.75	28.98
17	E	1.1875	36.53	32.16
19	F	1.2500	38.10	35.33
21	G	1.3750	41.28	38.51
23	H	1.5000	44.45	41.68
25	J	1.6250	47.63	44.86

All dimensions for reference only

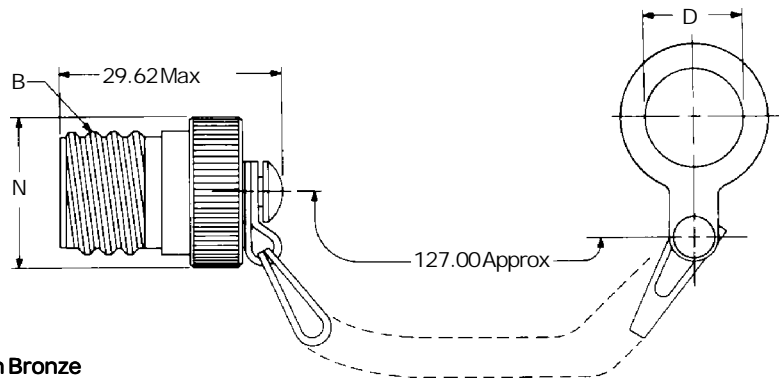
Tri-Start - Accessories **BS-A6173 D38999/32**

Plug protection cap

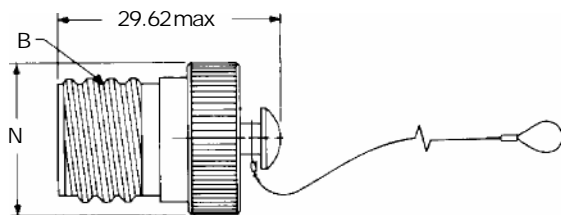
- * 10-552944-XXX
- * BS9520G0003A6173-...
- * D38999/32X-XXR



- * 10-553998-XX
- * D38999/32X-XXN



- Nickel Aluminium Bronze**
- * 418-1405-XX



Note: Approximately 450mm of Nylon rope, plus crimp ferrule is supplied with each 418-1405 cap.

* To complete order number, add shell size and suffix number. For example, shell size 11 with olive drab cadmium nickel base, 10-552944-119.

Plating Finish on Aluminium	10-No. Suffix	MIL Spec Suffix
Olive Drab, Cadmium, nickel base	-XX9	W
Electroless nickel	-XXG	F

Shell Size	MS Shell Size Code	B Thread Class 2a 0.1P-0.3L-TS	D +.25 -0.00	N Dia Max
9	A	.6250	13.11	22.73
11	B	.7500	16.28	25.40
13	C	.8750	19.46	29.74
15	D	1.0000	22.63	32.99
17	E	1.1875	25.81	36.47
19	F	1.2500	28.98	39.19
21	G	1.3750	32.16	42.42
23	H	1.5000	34.11	45.39
25	J	1.6250	38.51	48.62

All dimensions for reference only