

Amphenol

HLM

Hermaphroditic Lens Multiway



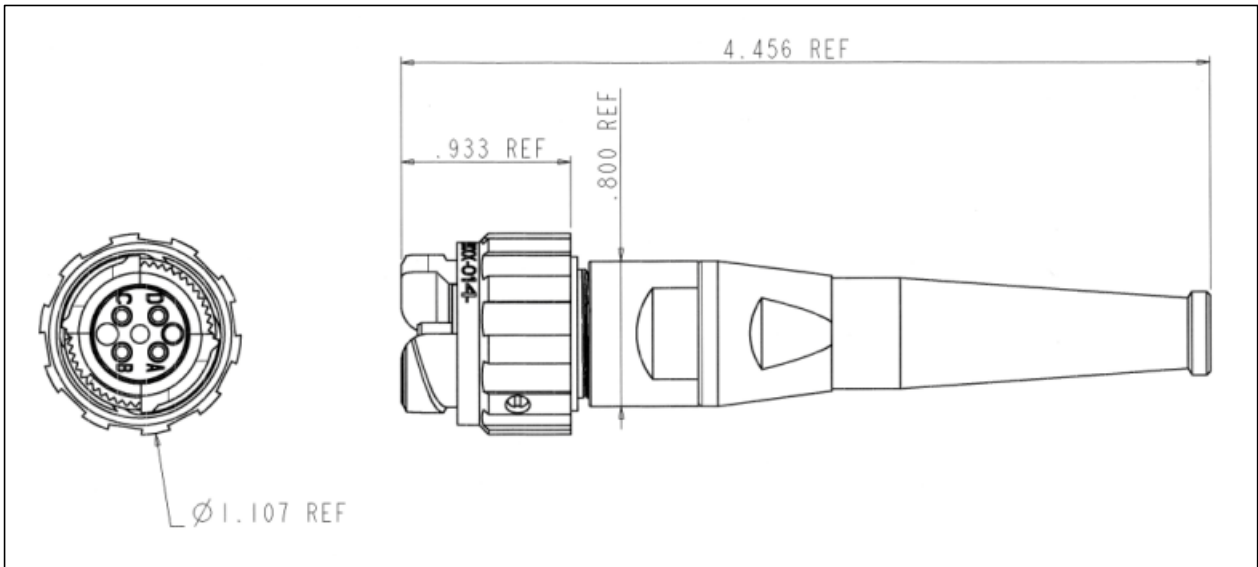
This hermaphroditic fibre optic connector series has been designed specifically to facilitate the interconnection of fibre optic assemblies, thus eliminating the need for polarising the assemblies and the use of in-line adapters. The lens technology offers an interconnect system that can be supplied in singleway and multiway configurations.

The simplex, duplex, and quad HLM are housed in a size 13 shell based on the D38999 Series III. The HLM is manufactured in either aluminium with black zinc cobalt finish or nickel aluminium bronze, both using a stainless steel insert. The HLM design uses generic components, which offer proven technology and a cost effective solution. The expanded beam technology has been developed for use in areas of high contamination, humidity and wide temperature ranges.

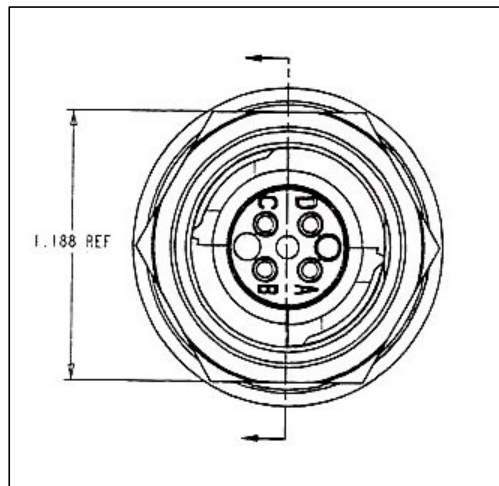
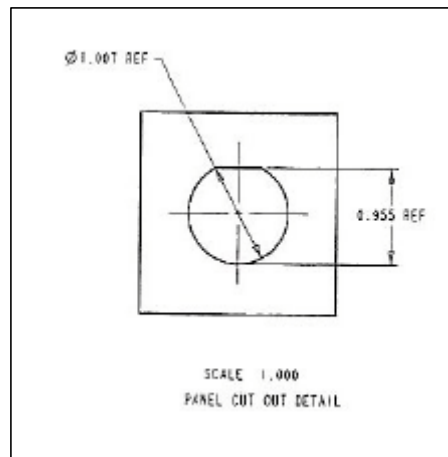
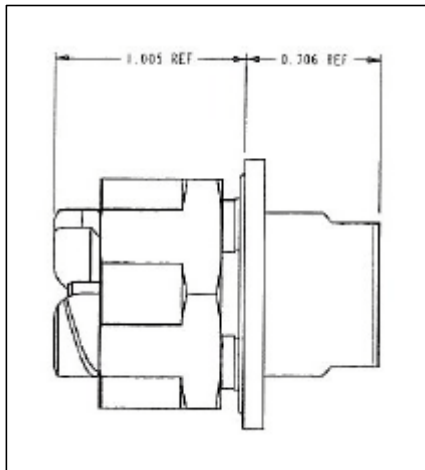
Typical applications are deployable external cable assemblies in mining, oil rigs, mil comms etc, where connectors with no gender are required. These can then be supplied and deployed on a cable drum for assemblies of 50M and over.

- Plug and jam nut receptacle shell styles
- Fully hermaphroditic wipeable clean mechanism
- Low receptacle protrusion
- Various lensed configurations
- Factory terminated
- Small compact design
- Low insertion loss 0.9 typically max 1.5dB 1300NM
- Through Bulkhead In Line Adapter available

Plug – Part No. HLM-06XRB-1300-014



Receptacle – Part No. HLM-07XRB-1300-011



Performance

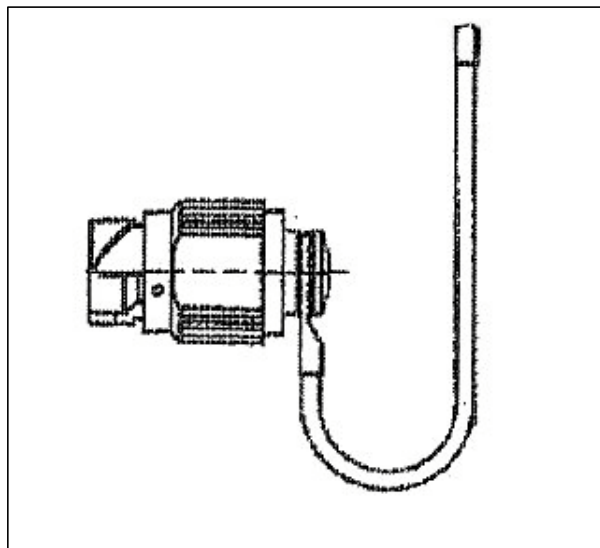
Optical	
Attenuation	Typically max. 1.5dB @ 1300 NM
Fibre Types	50/125 62.5/125

Environmental	
Temperature Range	-55°C to +85°C

Mechanical	
Durability	1500 Matings
Materials	Nickel Aluminium Bronze Shells Aluminium Shells Black Zinc Cobalt Stainless Steel Inserts
Lens Technology	Flat Lens 850 NM 1300 NM
Seals	Silicone

Dust Cap

All Dust Caps are Aluminium Bronze with Nylon Cord.



Part No. 960-839-100 and 960-839-300.

Required Information for Cable Assembly Manufacture

Configuration	Simplex / Duplex / Quad
Cable Type	5.5mm OD Tactical / 3.00mm ZIPcord
Fibre Size	62.5/125 50/125
Number of Fibres	No. of Fibres in Cable required
Lens Operational Wavelength	850 NM / 1300 NM
Connector Style	Free Plug / Jam Nut Receptacle / Loop Back
Cable Drum	Is Cable Drum required for Cable assemblies 50M and over in length

Notice: Products are sold subject to Amphenol's conditions of sale ("the standard conditions"). All specifications and statements contained herein are believed to be correct at the time of printing but no representation or warranty, express or implied, is given as to any specification or statement contained herein. Product specifications including performance characteristics are typical only and subject to deviation. Specifications are also subject to change without notice. Users should not assume that all safety measures are indicated or that other measures may not be required. No representation or warranty, express or implied, is given that any use of products (including any stated or suggested use) does not infringe any patent, registered design or other third party rights and no stated or suggested use of products can be taken to recommend any such infringement.