

Amphenol

CTOS

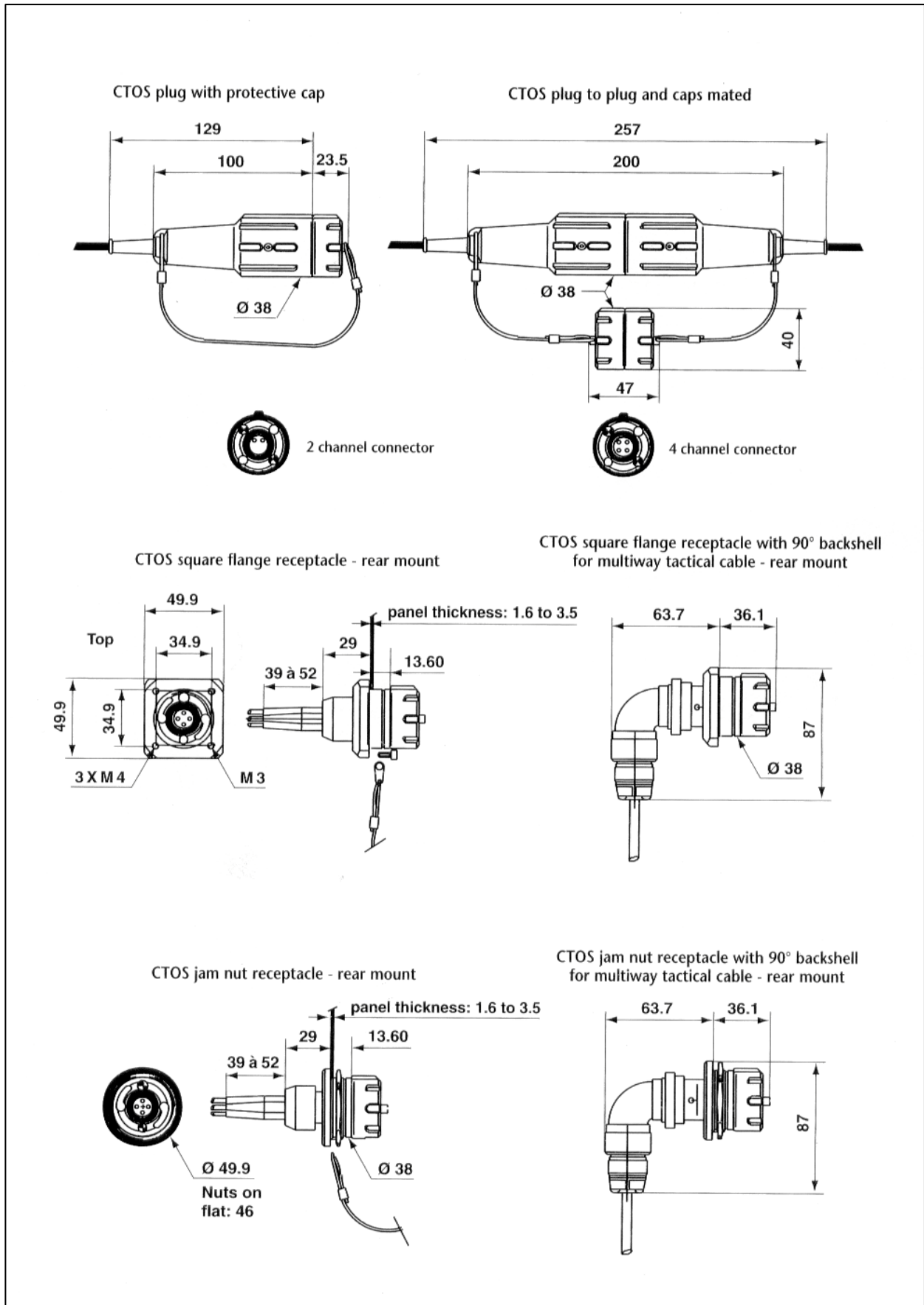
Tactical Multiway
Expanded Beam Connector



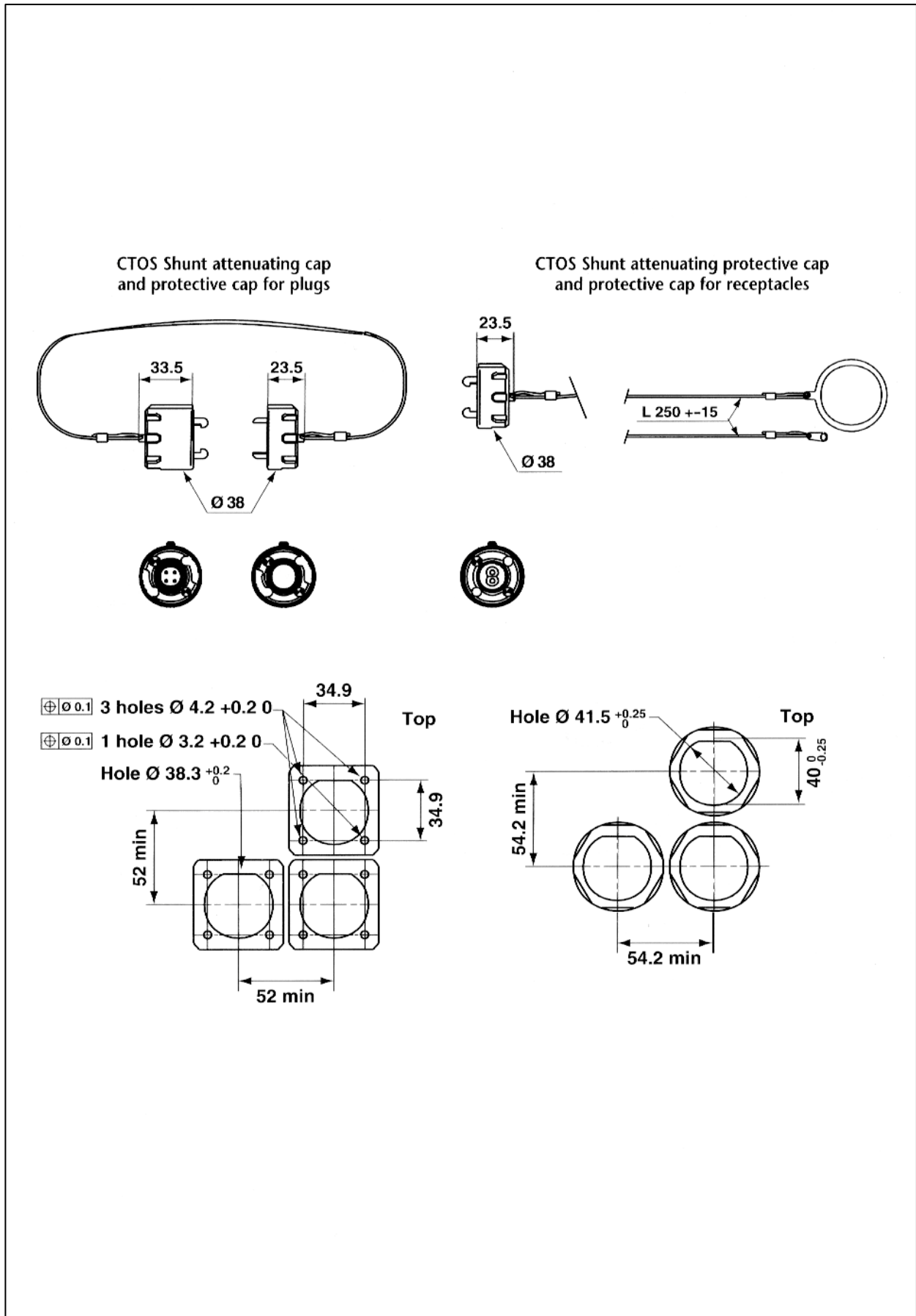
Amphenol offer an extremely rugged Harsh Environment Expanded Beam Connector, which is qualified to Stanag 4290, available with the following:

- Hermaphroditic 2 & 4 way optical interface
- Protective glass window
- Expanded beam technology using collimating lenses
- Watertight connectors
- Available in multimode and singlemode

Technical Information



Technical Information



Performance

| Optical | |
|----------------------|-------------------------------------|
| Attenuation Loss | Typically 2dB using 50/125 µm fibre |
| Fibre Types | 50/125, 62.5/125 and 8/125 |
| Operating Wavelength | 850 µm and 1300 µm |

| Environmental | |
|-------------------|--------------------------------|
| Temperature Range | -40°C to +85°C Cable dependant |

| Mechanical | |
|------------|---------------------------------------|
| Durability | 5000 mating to unmating cycles |
| Materials | Seamless steel body with rubber shell |

Please consult factory for further details
 Please be aware that the CTOS is now available in a singlemode version



Please consult factory for information and details
 on Deployable Cable Drums

For further information on cables, connectors and assemblies, please consult your local office.
 Product specifications and performance characteristics are typical only and subject to change.

Notice: Products are sold subject to Amphenol's conditions of sale ("the standard conditions"). All specifications and statements contained herein are believed to be correct at the time of printing but no representation or warranty, express or implied, is given as to any specification or statement contained herein. Product specifications including performance characteristics are typical only and subject to deviation. Specifications are also subject to change without notice. Users should not assume that all safety measures are indicated or that other measures may not be required. No representation or warranty, express or implied, is given that any use of products (including any stated or suggested use) does not infringe any patent, registered design or other third party rights and no stated or suggested use of products can be taken to recommend any such infringement.