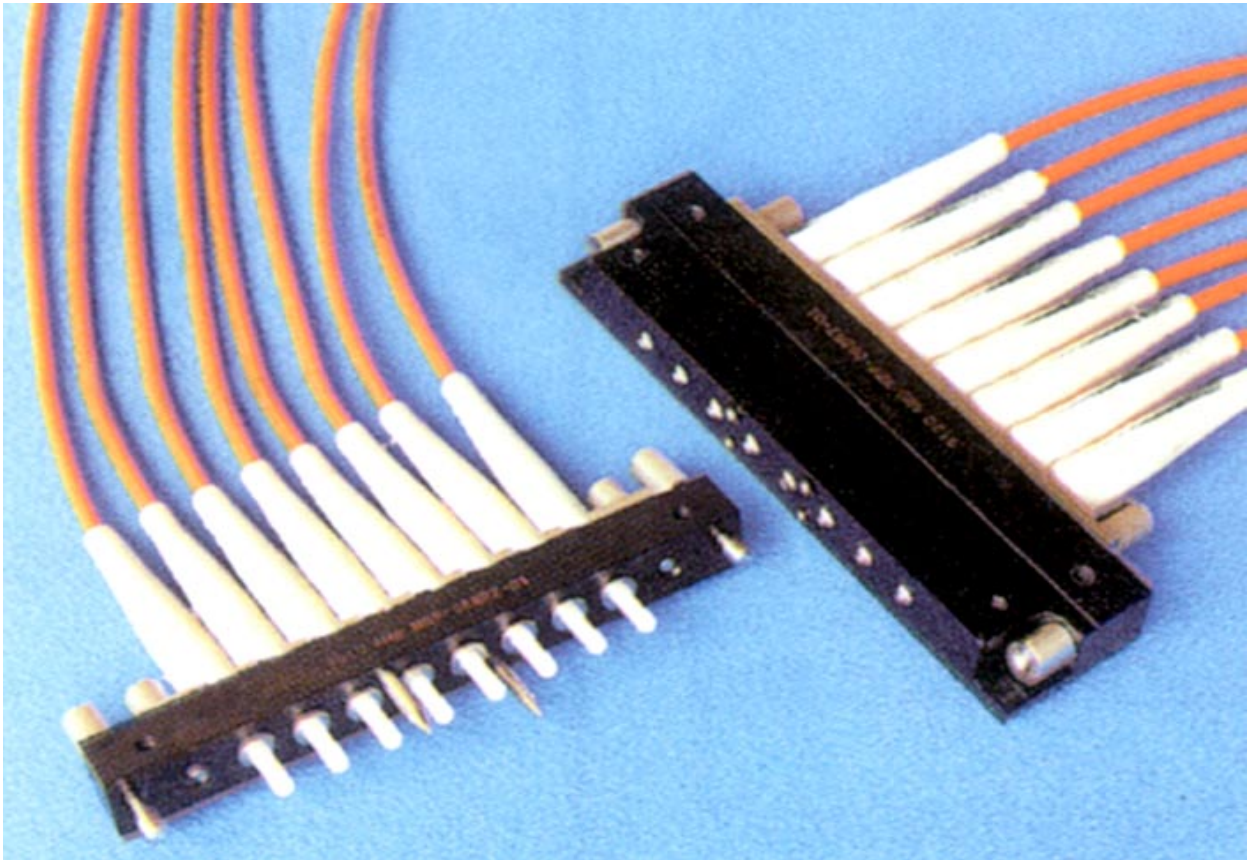


Amphenol

MBP Series Multiway Back Plane Connector



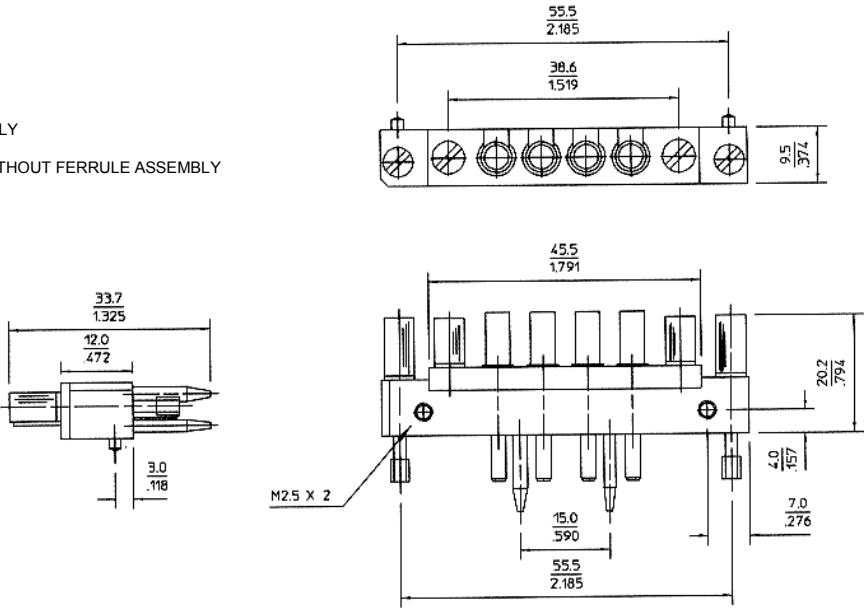
The Multiway Back Plane connector series utilises proven ceramic PC ferrule and ceramic alignment sleeve technology, in a high density fibre optic connector. The stainless steel guide pins allow for excellent optical alignment between mother and daughter board.

- Available in 4 and 8 way variations
- The design is motherboard, daughterboard and chassis mountable
- Keyed ferrule assembly
- Free floating optical termini
- One piece termination (epoxy/polish)
- Compact utilisation of board real estate
- Optical termini are individually removable for upgrading or replacing

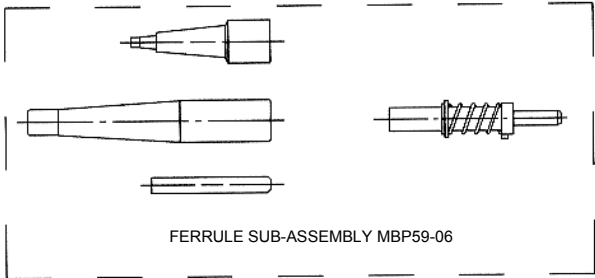
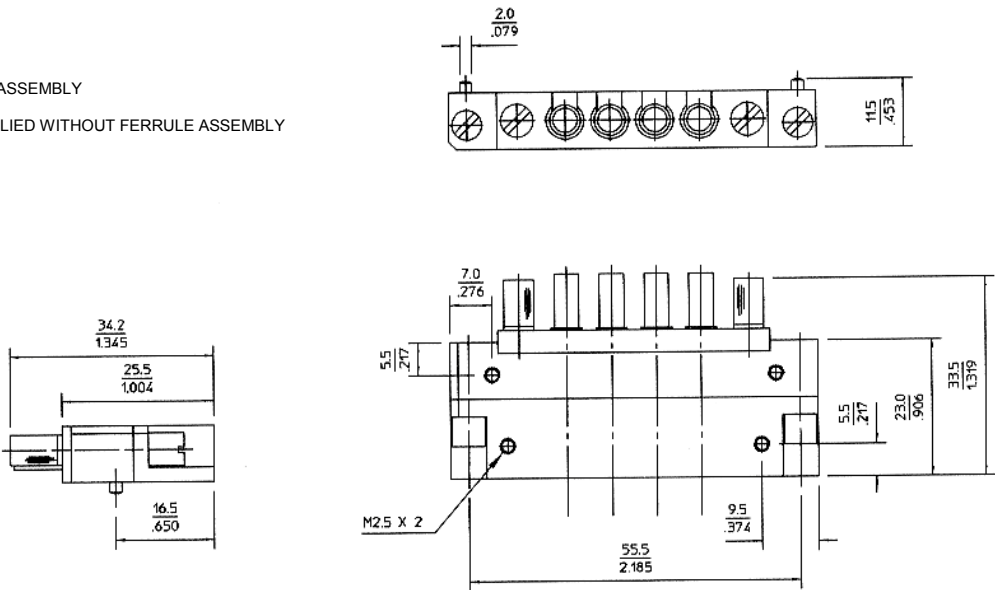
Amphenol

Technical Information

4 WAY BACKPLANE ASSEMBLY
MBP-064RZ-01 SUPPLIED WITHOUT FERRULE ASSEMBLY



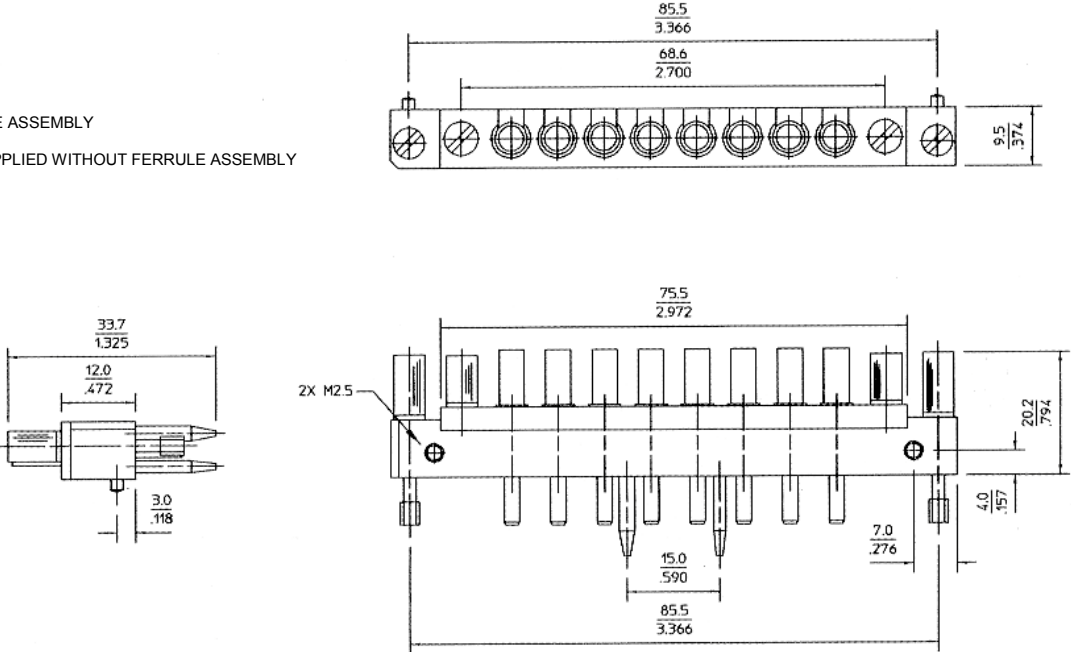
4 WAY BACKPLANE ASSEMBLY
MBP-004RZ-01 SUPPLIED WITHOUT FERRULE ASSEMBLY



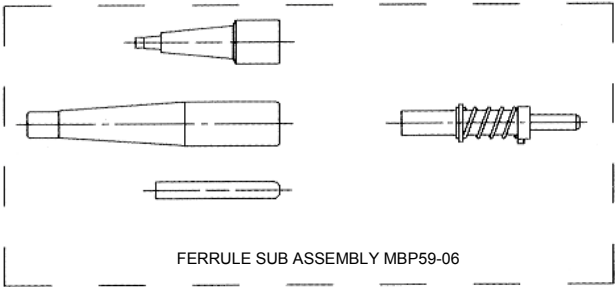
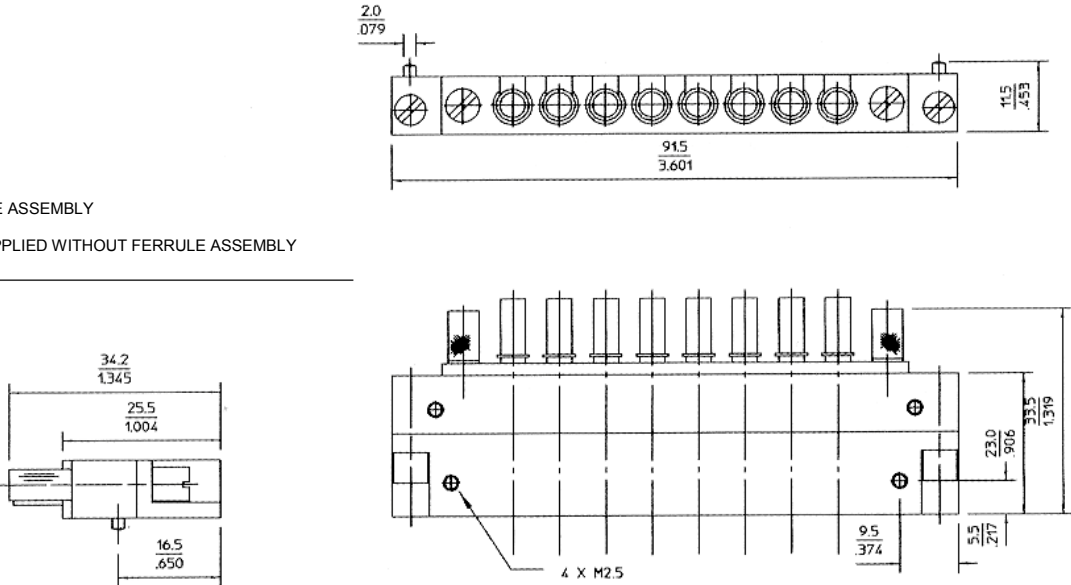
FERRULE SUB-ASSEMBLY MBP59-06

Performance

8 WAY BACKPLANE ASSEMBLY
MBP-068RZ-01 SUPPLIED WITHOUT FERRULE ASSEMBLY



8 WAY BACKPLANE ASSEMBLY
MBP-008RZ-01 SUPPLIED WITHOUT FERRULE ASSEMBLY



FERRULE SUB ASSEMBLY MBP59-06

Performance

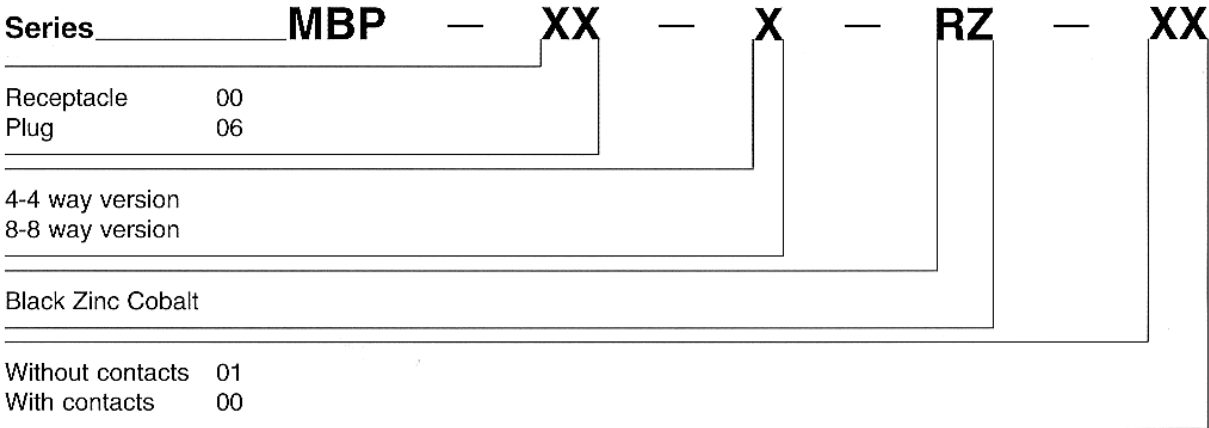
Optical	
Attenuation	Typically 0.35dB using 62.5/125 cable
Repeatability	<0.15dB
Fibre Types	50/125 100/140
	62.5/125 200/300
	200/280
Termination Method	Epoxy / Polish

Environmental	
Temperature Range	-50°C / +125°C cable dependent

Mechanical	
Durability	>200 matings

Termination Tooling	
Basic Kit	927 – 100 – 3000
MBP Add on Kit	927 – 100 – 3700
Consumable Pack	927 – 100 – 6000 Approximately 50 terminations

Connector Part Number Information



Contact Part Number Information

Series **MBP** — **59** — **06** — **XXX**

Contacts will take 900µm secondary coat fibre, and tight jacket cable from 2.5 - 3.2mm

For further information on cables, connectors and assemblies, please consult your local office. Product specifications and performance characteristics are typical only and subject to change.

Notice: Products are sold subject to Amphenol's conditions of sale ("the standard conditions"). All specifications and statements contained herein are believed to be correct at the time of printing but no representation or warranty, express or implied, is given as to any specification or statement contained herein. Product specifications including performance characteristics are typical only and subject to deviation. Specifications are also subject to change without notice. Users should not assume that all safety measures are indicated or that other measures may not be required. No representation or warranty, express or implied, is given that any use of products (including any stated or suggested use) does not infringe any patent, registered design or other third party rights and no stated or suggested use of products can be taken to recommend any such infringement.