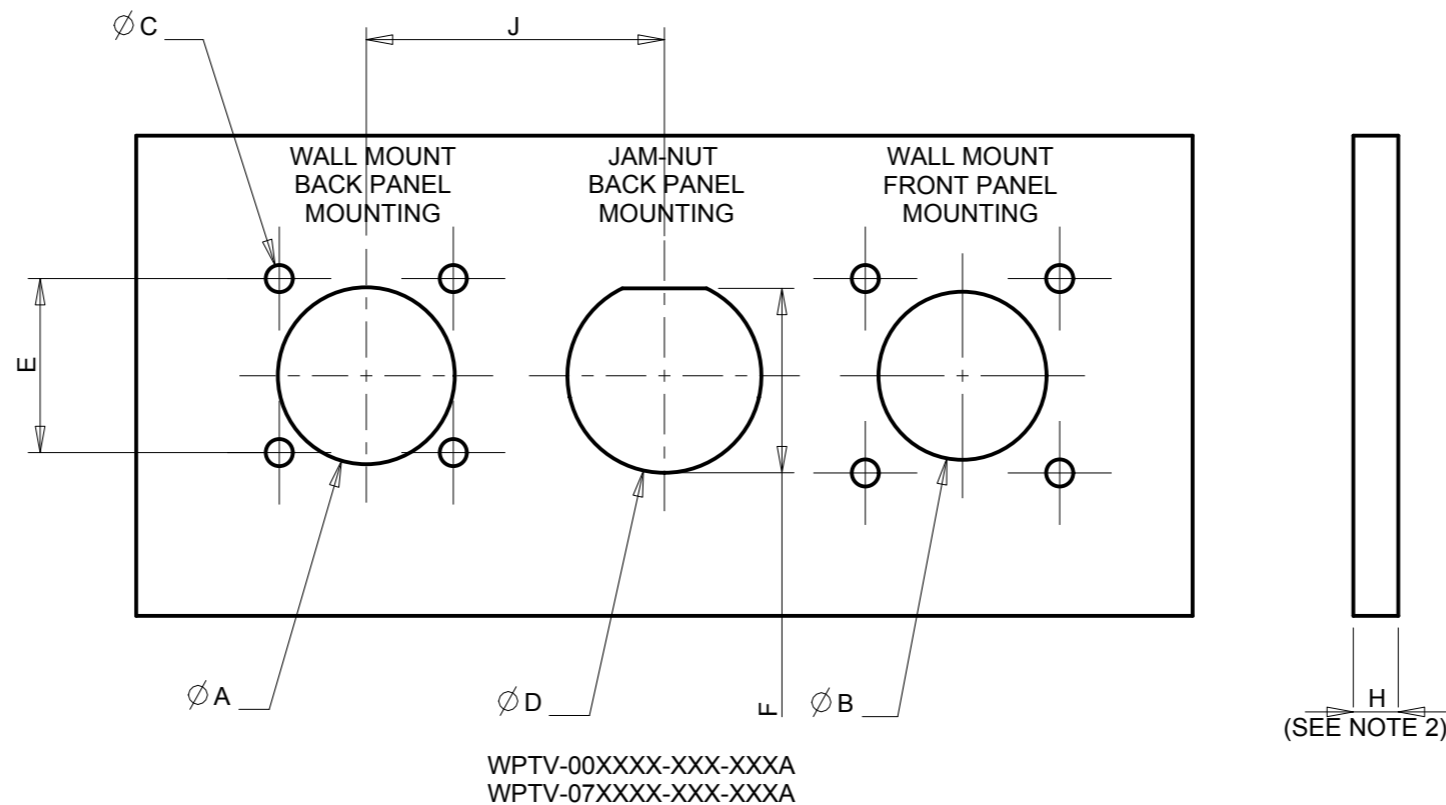


THIS DOCUMENT AND ITS CONTENTS REMAIN THE PROPERTY OF AMPHENOL LTD. THIS DOCUMENT CONTAINS CONFIDENTIAL PROPRIETARY INFORMATION, AND SHALL NOT BE COPIED, DISCLOSED, REPRODUCED OR USED FOR ANY OTHER PURPOSE, UNLESS WRITTEN PERMISSION IS GRANTED BY AMPHENOL LTD. AMPHENOL LTD RETAINS THE RIGHT TO REQUEST THE PROMPT RETURN OF THIS DOCUMENT.

DRAWING No
123GB-0826

**RECOMMENDED PANEL CUT OUT DIMENSIONS
'A' ACCESSORY**

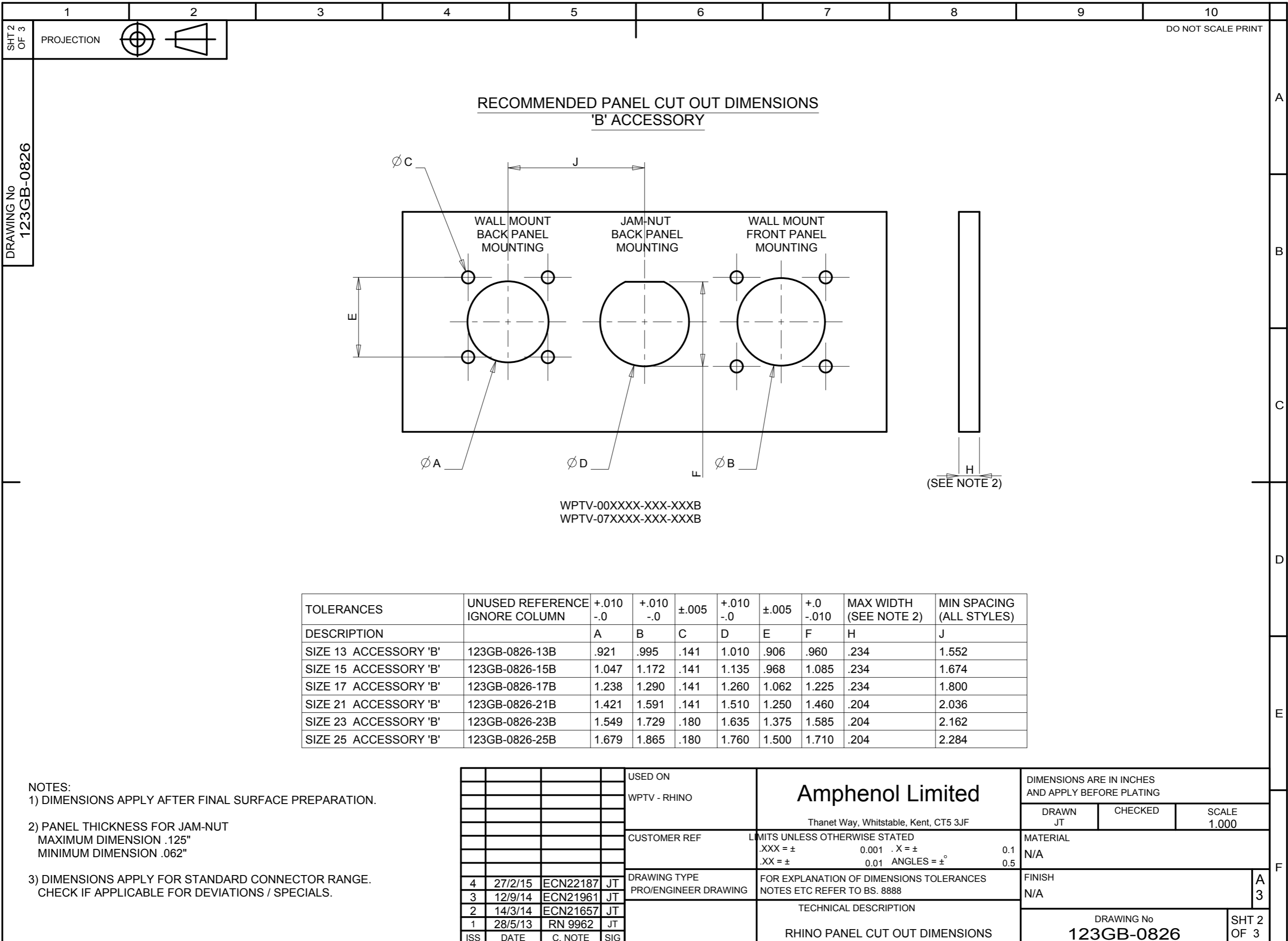


TOLERANCES	UNUSED REFERENCE IGNORE COLUMN	+0.10 -0	+0.10 -0	±.005	+0.10 -0	±.005	+0 -0.10	MAX WIDTH (SEE NOTE 2)	MIN SPACING (ALL STYLES)
DESCRIPTION		A	B	C	D	E	F	H	J
SIZE 13 ACCESSORY 'A'	123GB-0826-13A	.921	.875	.141	1.010	.906	.960	.234	1.552
SIZE 15 ACCESSORY 'A'	123GB-0826-15A	1.047	1.020	.141	1.135	.968	1.085	.234	1.674
SIZE 17 ACCESSORY 'A'	123GB-0826-17A	1.238	1.160	.141	1.260	1.062	1.225	.234	1.800
SIZE 21 ACCESSORY 'A'	123GB-0826-21A	1.421	1.350	.141	1.510	1.250	1.460	.204	2.036
SIZE 23 ACCESSORY 'A'	123GB-0826-23A	1.549	1.513	.180	1.635	1.375	1.585	.204	2.162
SIZE 25 ACCESSORY 'A'	123GB-0826-25A	1.679	1.631	.180	1.760	1.500	1.710	.204	2.284

- NOTES:
 1) DIMENSIONS APPLY AFTER FINAL SURFACE PREPARATION.
 2) PANEL THICKNESS FOR JAM-NUT
 MAXIMUM DIMENSION .125"
 MINIMUM DIMENSION .062"
 3) DIMENSIONS APPLY FOR STANDARD CONNECTOR RANGE.
 CHECK IF APPLICABLE FOR DEVIATIONS / SPECIALS.

				USED ON	Amphenol Limited	DIMENSIONS ARE IN INCHES AND APPLY BEFORE PLATING			
				WPTV - RHINO		Thanet Way, Whitstable, Kent, CT5 3JF			
				CUSTOMER REF	LIMITS UNLESS OTHERWISE STATED	DRAWN	CHECKED	SCALE	
					.XXX = ±	JT		1.000	
					.XX = ±	MATERIAL			
					0.005 .X = ±	N/A			
					0.01 ANGLES = ±	FINISH			
						N/A			
4	27/2/15	ECN22187	JT	DRAWING TYPE	FOR EXPLANATION OF DIMENSIONS TOLERANCES	DRAWING No 123GB-0826			
3	12/9/14	ECN21961	JT	PRO/ENGINEER DRAWING	NOTES ETC REFER TO BS. 8888				SHT 1 OF 3
2	14/3/14	ECN21657	JT	TECHNICAL DESCRIPTION					
1	28/5/13	RN 9962	JT	RHINO PANEL CUT OUT DIMENSIONS					
ISS	DATE	C. NOTE	SIG						

THIS DOCUMENT AND ITS CONTENTS REMAIN THE PROPERTY OF AMPHENOL LTD. THIS DOCUMENT CONTAINS CONFIDENTIAL PROPRIETARY INFORMATION, AND SHALL NOT BE COPIED, DISCLOSED, REPRODUCED OR USED FOR ANY OTHER PURPOSE, UNLESS WRITTEN PERMISSION IS GRANTED BY AMPHENOL LTD. AMPHENOL LTD RETAINS THE RIGHT TO REQUEST THE PROMPT RETURN OF THIS DOCUMENT.



NOTES:

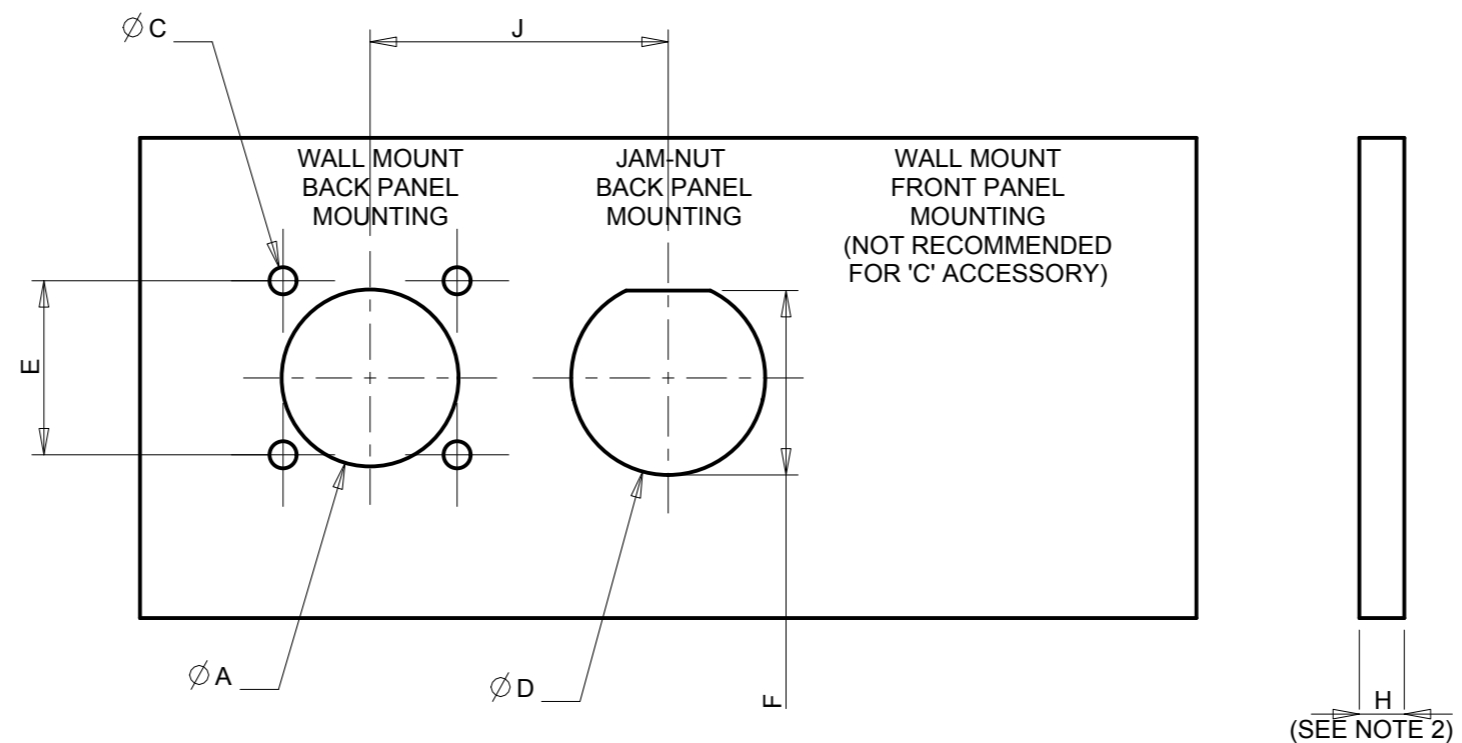
- 1) DIMENSIONS APPLY AFTER FINAL SURFACE PREPARATION.
- 2) PANEL THICKNESS FOR JAM-NUT
MAXIMUM DIMENSION .125"
MINIMUM DIMENSION .062"
- 3) DIMENSIONS APPLY FOR STANDARD CONNECTOR RANGE.
CHECK IF APPLICABLE FOR DEVIATIONS / SPECIALS.

				USED ON	Amphenol Limited	DIMENSIONS ARE IN INCHES AND APPLY BEFORE PLATING		
				WPTV - RHINO		Thanet Way, Whitstable, Kent, CT5 3JF		
				CUSTOMER REF	LIMITS UNLESS OTHERWISE STATED	DRAWN JT	CHECKED	SCALE 1.000
					.XXX = ±	MATERIAL		
					.001 .X = ±	N/A		
					.XX = ±	FINISH		
					0.01 ANGLES = ±°	N/A		
4	27/2/15	ECN22187	JT	DRAWING TYPE	FOR EXPLANATION OF DIMENSIONS TOLERANCES			A
3	12/9/14	ECN21961	JT	PRO/ENGINEER DRAWING	NOTES ETC REFER TO BS. 8888			3
2	14/3/14	ECN21657	JT		TECHNICAL DESCRIPTION			
1	28/5/13	RN 9962	JT		RHINO PANEL CUT OUT DIMENSIONS	DRAWING No 123GB-0826		SHT 2 OF 3
ISS	DATE	C. NOTE	SIG					

THIS DOCUMENT AND ITS CONTENTS REMAIN THE PROPERTY OF AMPHENOL LTD. THIS DOCUMENT CONTAINS CONFIDENTIAL PROPRIETARY INFORMATION, AND SHALL NOT BE COPIED, DISCLOSED, REPRODUCED OR USED FOR ANY OTHER PURPOSE, UNLESS WRITTEN PERMISSION IS GRANTED BY AMPHENOL LTD. AMPHENOL LTD RETAINS THE RIGHT TO REQUEST THE PROMPT RETURN OF THIS DOCUMENT.

DRAWING No
123GB-0826

**RECOMMENDED PANEL CUT OUT DIMENSIONS
'C' ACCESSORY**



WPTV-00XXXX-XXX-XXXX
WPTV-07XXXX-XXX-XXXX

TOLERANCES	UNUSED REFERENCE IGNORE COLUMN	+0.10 -0	+0.10 -0	±.005	+0.10 -0	±.005	+0 -0.10	MAX WIDTH (SEE NOTE 2)	MIN SPACING (ALL STYLES)
DESCRIPTION		A	B	C	D	E	F	H	J
SIZE 13 ACCESSORY 'C'	123GB-0826-13C	.921	-	.141	1.010	.906	.960	.234	1.552
SIZE 15 ACCESSORY 'C'	123GB-0826-15C	1.047	-	.141	1.135	.968	1.085	.234	1.674
SIZE 17 ACCESSORY 'C'	123GB-0826-17C	1.238	-	.141	1.260	1.062	1.225	.234	1.800
SIZE 21 ACCESSORY 'C'	123GB-0826-21C	1.421	-	.141	1.510	1.250	1.460	.204	2.036
SIZE 23 ACCESSORY 'C'	123GB-0826-23C	1.549	-	.180	1.635	1.375	1.585	.204	2.162
SIZE 25 ACCESSORY 'C'	123GB-0826-25C	1.679	-	.180	1.760	1.500	1.710	.204	2.284

- NOTES:
 1) DIMENSIONS APPLY AFTER FINAL SURFACE PREPARATION.
 2) PANEL THICKNESS FOR JAM-NUT
 MAXIMUM DIMENSION .125"
 MINIMUM DIMENSION .062"
 3) DIMENSIONS APPLY FOR STANDARD CONNECTOR RANGE.
 CHECK IF APPLICABLE FOR DEVIATIONS / SPECIALS.

				USED ON	Amphenol Limited	DIMENSIONS ARE IN INCHES AND APPLY BEFORE PLATING		
				WPTV - RHINO		Thanet Way, Whitstable, Kent, CT5 3JF	DRAWN JT	CHECKED
				CUSTOMER REF	LIMITS UNLESS OTHERWISE STATED	MATERIAL		
					.XXX = ± 0.001 .X = ± 0.1	N/A		
					.XX = ± 0.01 ANGLES = ± ° 0.5	FINISH		
				DRAWING TYPE	FOR EXPLANATION OF DIMENSIONS TOLERANCES	N/A		
				PRO/ENGINEER DRAWING	NOTES ETC REFER TO BS. 8888			
					TECHNICAL DESCRIPTION	DRAWING No		
					RHINO PANEL CUT OUT DIMENSIONS	123GB-0826		
						SHT 3 OF 3		