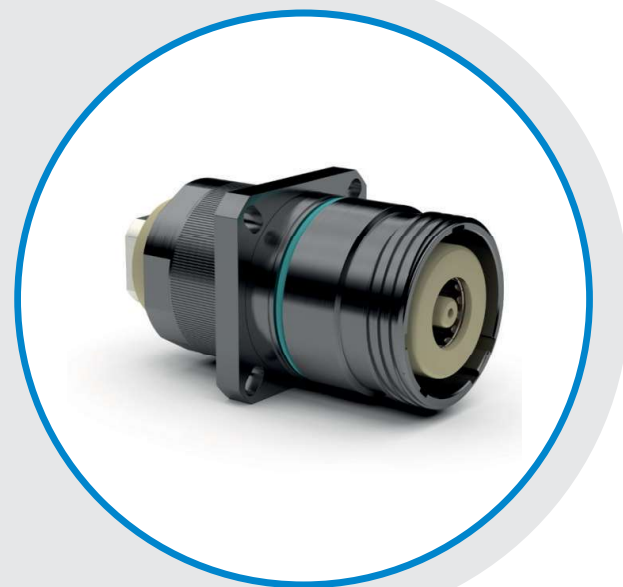


Key Features:

- **Minimised contact fretting at excessive vibration levels**
- **Interchangeable with similar RHINO receptacle connectors**
- **Intermateable with standard RHINO plug connectors**
- **Designed for bus-bar installations**
- **Easy to retrofit**



Amphenol's RHINO series is now available with a high stability receptacle option specifically for use with busbar termination and systems.

Complex busbar systems are much harder to clamp or stress isolate than cable terminations leading to induced vibrations on the busbars being transferred through the connector interface. In the majority of applications the standard RHINO connector series can withstand these effects but in some instances the mechanical and climatic environment and the effects of resonant frequencies (Fr) can lead to the connector being exposed to conditions outside of its stated performance.

Amphenol have therefore introduced a high stability version of the proven high-power RHINO Series.

This means the connector can withstand extreme conditions when supplying power to any application and has proved to be an extremely rugged solution, by isolating the interconnect, therefore removing issues on various military platforms where a higher level of induced external energy within the system is seen.

The electrical, technical and environmental performance are unaffected with the exception of the vibration capability which is extended beyond the standard RHINO performance.

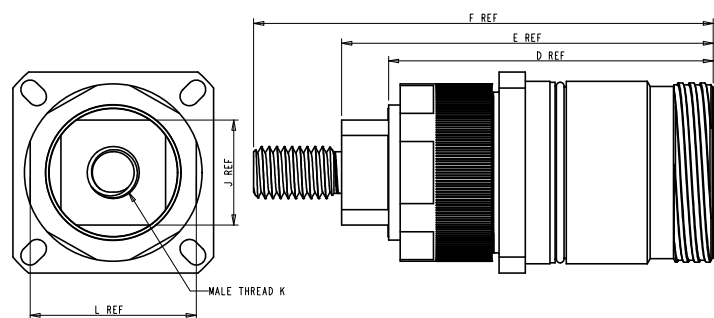
There is no need to change the free plug connector and the panel mounting dimensions remain as per the standard RHINO connector so the connector can be easily retro-fitted.



Dimensions

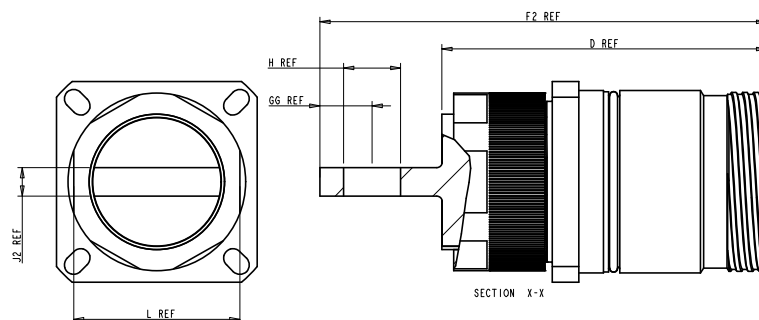
Contact Termination 2

Threaded Post



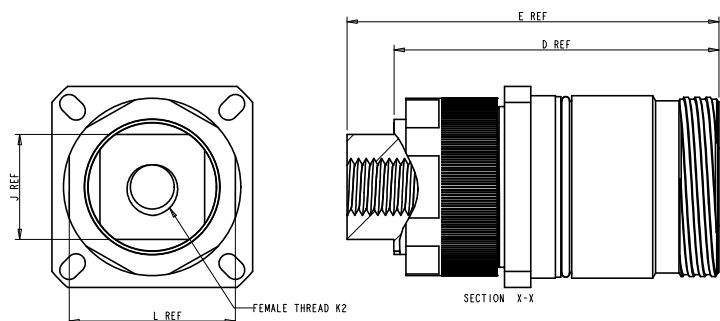
Contact Termination 3

Flat Tail with Cross-hole



Contact Termination 5

Tapped Hole with Locking Flats



Shell Size	D	E	F	F2	GG	H	J (A/F)	J2	K	K2	L (A/F)
13	1.869 (57.47)	2.070 (52.58)	2.548 (64.72)	2.813 (71.45)	0.433 (10.99)	0.200 (5.08)	0.274 (6.96)	0.145 (3.68)	M4	M4 x 12mm DEEP	0.748 (19.00)
15	2.093 (53.16)	2.294 (58.27)	2.772 (70.41)	3.037 (77.14)	0.433 (10.99)	0.279 (7.09)	0.391 (9.93)	0.145 (3.68)	M6	M6 x 12mm DEEP	0.945 (24.00)
17	2.208 (56.08)	2.473 (62.81)	3.070 (77.98)	3.152 (80.06)	0.433 (10.99)	0.358 (9.09)	0.510 (12.95)	0.205 (5.21)	M8	M8 x 15mm DEEP	1.063 (27.00)
21	2.480 (62.99)	2.808 (71.32)	3.523 (89.48)	3.425 (87.00)	0.433 (10.99)	0.436 (11.07)	0.667 (16.94)	0.205 (5.21)	M10	M10 x 18mm DEEP	1.260 (32.00)
23	2.685 (68.20)	3.107 (78.92)	3.900 (99.06)	3.785 (96.14)	0.472 (11.99)	0.515 (13.08)	0.746 (18.95)	0.255 (6.48)	M12	M12 x 18mm DEEP	1.417 (35.99)
25	2.932 (74.47)	3.355 (85.22)	4.146 (105.31)	4.033 (102.44)	0.472 (11.99)	0.515 (13.08)	0.945 (24.00)	0.255 (6.48)	M12	M12 x 18mm DEEP	1.500 (38.10)

All other dimensions are as per standard RHINO
 All dimensions are REFERENCE and are common for PIN and SOCKET versions
 Dimensions in inches and (mm)

Ordering Information

To order please add suffix (W710) to the standard RHINO Receptacle part number