



STINGRAY

Stingray Panel Mount

Magnetic Breakaway Interface for C6ISR & Autonomous Systems

Stingray Panel Mount extends magnetic breakaway technology into a fixed interface, enabling 360° blind mating with magnetic self-alignment in dynamic environments. It supports applications across autonomous drone docking, field charging systems, vehicle interfaces and soldier-worn equipment, where rapid connection and safe disconnection under load are critical.

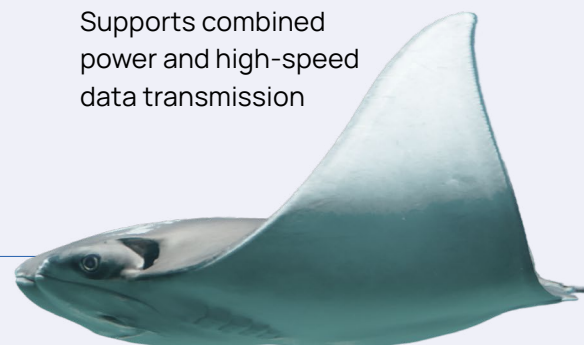
The compact circular design delivers combined power and data through a single interface, simplifying integration across distributed defence systems.

Technical Overview

- Up to 5A per contact (5 contacts)
- 8-36V operating range
- USB 2.0 data support
- >10,000 mating cycles
- Low contact resistance (< 20mΩ)
- -55°C to + 85°C operating temperature

Key Advantages

- **Magnetic Breakaway Protection**
Safe disconnection under load to reduce damage and snag risk
- **360° Blind Mating**
Rapid connect/disconnect without orientation constraints
- **No Moving Parts**
Non-keyed coupling reduces wear and maintenance
- **Sealed for Harsh Environments**
Reliable performance in moisture, dust and field conditions
- **Power + Data in One Interface**
Supports combined power and high-speed data transmission

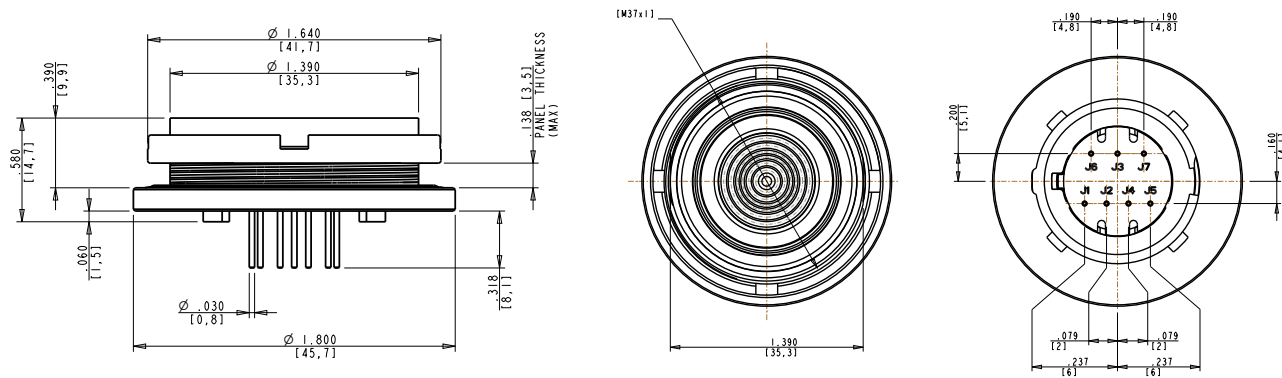


Part Numbering

Panel Mount						
WM	X	004-	XX	RZ	2	7
WM	M - Male (Sprung contact) F - Female (Fixed PCB)	004 - PC Tails	00 - Wall mount 07 - Jam-nut mount PCB	RZ - Black	2	7

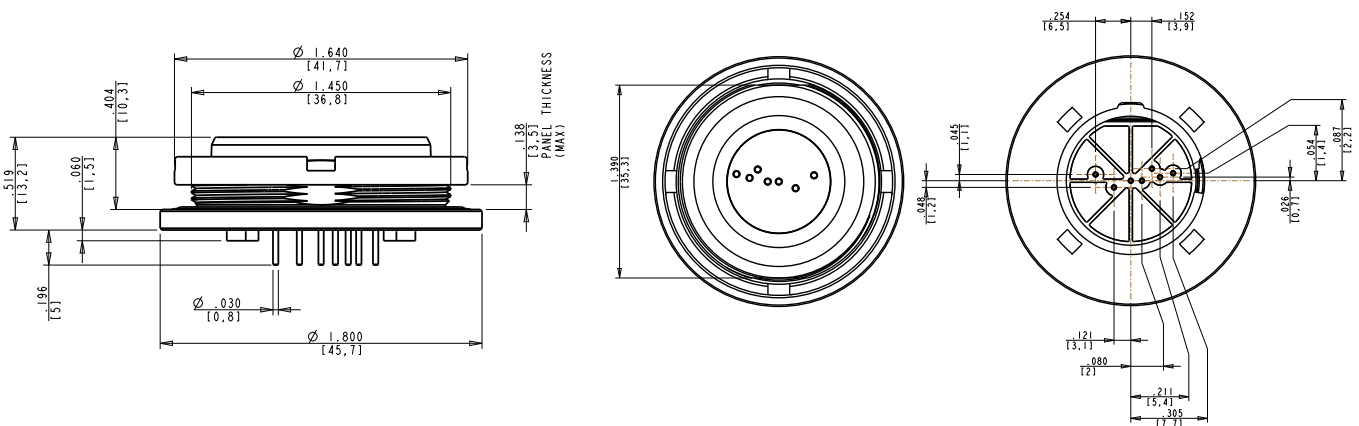
Jam Nut Female

WMF004-07RZ27



Jam Nut Male

WMF004-07RZ27



All dimensions are in inches (mm shown in brackets) and are for reference only. Figure enlarged scale.